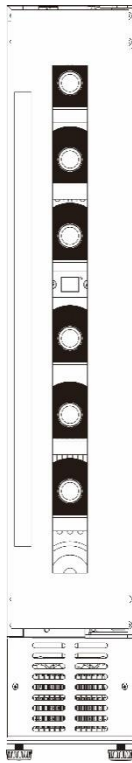




Built-In Wine Cooler



15 cm wine cellar

NOTE: *This User Instruction Manual contains important information, including safety & installation points, which will enable you to get the most out of your appliance. Please keep it in a safe place so that it is easily available for future reference, for you or any person not familiar with the operation of the appliance.*

CONTENTS

Environmental note	- 1 -
Important safety information	- 1 -
Description of the appliance	- 4 -
Product features	- 4 -
Control panel	- 4 -
Description of the product features	- 4 -
Using your Wren wine cooler	- 5 -
Before switching on	- 5 -
During first use	- 5 -
Switching on the appliance and setting the temperature	- 5 -
Wine Storage	- 6 -
Loading the wine cooler	- 6 -
Storing your wines	- 6 -
Wine storage problems	- 7 -
Cleaning and maintenance	- 8 -
Defrosting	- 8 -
Removing the shelves for cleaning	- 9 -
Moving your wine cooler	- 9 -
Power failure	- 9 -
Vacation time	- 9 -
Installation	- 9 -
Electrical connection	- 10 -
Positioning	- 10 -
Built-in installation	- 10 -
Adjusting the height and leveling of your wine cooler	- 11 -
Installing the handle	- 12 -
Reversing the door of your wine cooler	- 12 -
Troubleshooting	- 14 -
Technical data	- 15 -

Environmental note

Note: Before discarding an old appliance, switch off and disconnect it from the power supply. Cut off and render any plug useless. Cut the cable off directly behind the appliance to prevent misuse. This should be undertaken by a competent person. Disable the door lock to make sure that children cannot get stuck inside the appliance.



ENVIRONMENT-FRIENDLY DISPOSAL

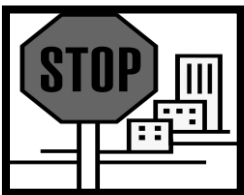
The symbol above and on the product means that the product is classed as Electrical or Electronic Equipment and should not be disposed of with household or commercial waste at the end of its useful life. The Waste of Electrical and Electronic Equipment (WEEE) Directive (2012/19/EU) was put in place to ensure that products are recycled using the best available recovery and recycling techniques, minimizing the impact on the environment, treating any hazardous substances and avoiding the proliferation of landfill. Contact local authorities for information on correct disposal of Electrical or Electronic Equipment.

- The packaging materials use are environmentally friendly and can be recycled.
- Please discard all packaging material with due regard for the environment.

Important safety information



Your safety is of the utmost importance to Wren. Please make sure that you read this instruction booklet **before** attempting to install or use the appliance. If you are unsure of any of the information contained in this booklet, please contact the Wren Advice Line.



IMPORTANT: Any installation work must be carried out by a qualified electrician or competent person.

Use of the appliance

- Your appliance is only designed to be used in the home. It is suitable for storing and chilling wine. NO food stuffs must be stored in the appliance. If it is used for any other purpose or it is not used correctly,



then Wren will accept no liability for any damage that is caused.

- Altering the specification of the appliance must not be attempted for reasons of safety.

Before using your appliance

- Check the appliance for any signs of transport damage. If you notice any damage, then you should not connect your appliance to your mains supply and should contact your retailer.

Refrigerant

- Your appliance contains R600a refrigerant, which is a natural gas that does not contain CFCs that can damage the environment. However it is a flammable substance, therefore care should be taken:
 - During the transportation and installation of the appliance, make sure that the refrigeration pipework does not get damaged.
 - If it does become damaged then sources of ignition and open flames should be avoided. Also the room that the appliance is situated in should be thoroughly ventilated.
- Do not place any objects on top of the appliance, as this may damage the table top.





Child safety

- Packaging material should be kept away from children.



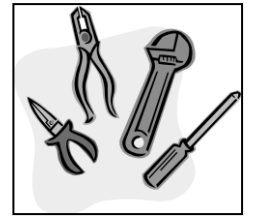
- Children should not be allowed to touch the controls or play with the appliance.

General safety

- Do not pull on the power supply cable to remove the plug from your mains supply socket.
- Do not pull out or insert the plug with wet hands.
- Do not attempt to use your appliance outdoors or any place where it is likely to come into contact with the elements. 
- Before cleaning the appliance or performing maintenance work, ensure that the appliance has been disconnected from your mains supply.
- Never allow the back coils of the appliance to come into contact with the wall surface.
- Always ensure that the location where you are installing your appliance is free of stored items such as papers and other flammable materials.
- Never block the ventilation openings of the appliance, either on the inside or its exterior.
- It is vital to keep your appliance well ventilated, so that there is proper air flow between the bottom of the unit and the plinth/kick plate which it is sitting on. 
- Do not place electrical devices inside of the appliance, such as mixers or ice cream makers.

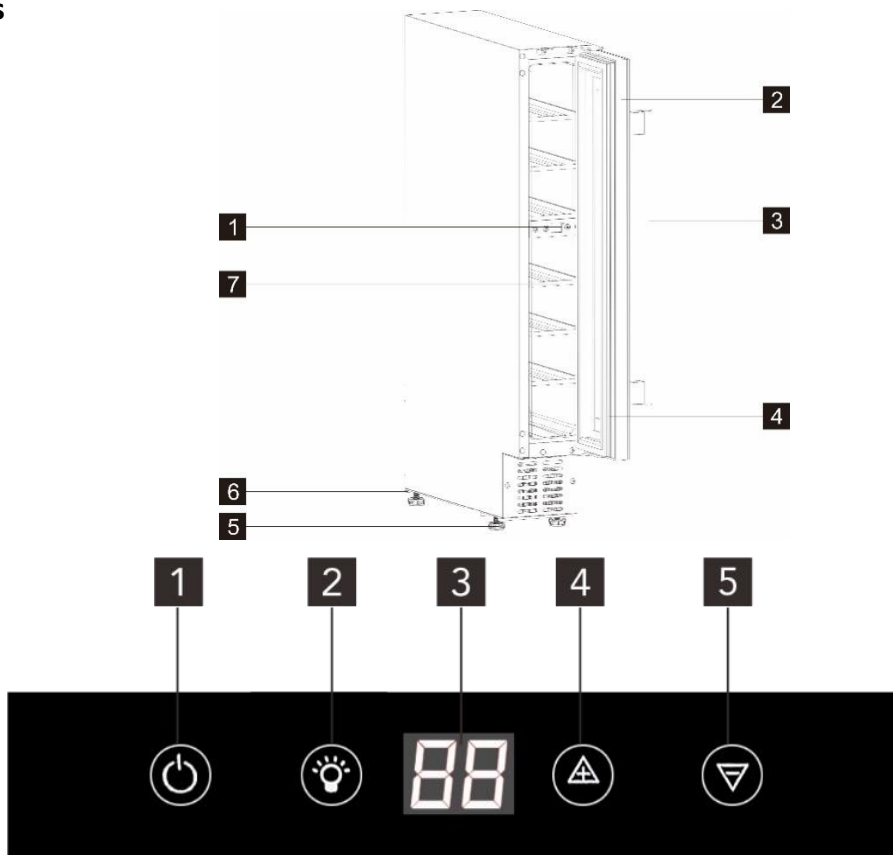
Service

You should not attempt to repair the appliance yourself, as this could cause injury or a more serious malfunction. If you require a service call, then please contact the Customer Care Department Tel- 0333 247 1128.



Description of the appliance

Product features



- | | |
|------------------------|---------------------|
| 1. Control Panel | 5. Decorative frame |
| 2. Tempered Glass Door | 6. Legs |
| 3. Handle | 7. Shelves |
| 4. Gasket | |

Control panel

The control panel is located at the top or in the middle of the appliance.

1. ON / OFF control button
2. Light control button

3. Display
4. Temperature plus button
5. Temperature minus button

Description of the product features

Control panel

- The control panel is located in the top of the appliance, behind the glass door. It is easy to set the temperature of the appliance and see what temperature the appliance is set to.

One cooling zone

- There is one cooling zone inside of your wine cooler.
- The cooling zone has a temperature control and temperature display.

Interior light

- The cooling zone has an interior light. The light can be switched on and off by using the light control button **(2)**.

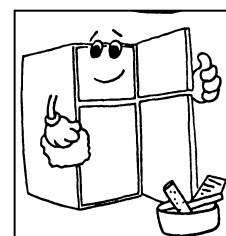
The wine cooler shelves

- The wooden shelves are fully adjustable to suit various wine bottle shapes and sizes.
- To prevent damaging the door gasket, make sure the door is fully open when pulling shelves out of the rail compartment.
- For easy access to the bottles stored, pull the shelves out approximately 1/3 of the way.

Using your Wren wine cooler

Before switching on

- Make sure that it has been installed by a suitably qualified person, as per the information contained in **Wren's** installation instructions.
- After delivery, wait for eight hours before connecting the appliance to your mains supply. This will allow any refrigerant gasses that may have been disturbed during the transportation process to settle.
- The outside of the appliance and the removable accessories contained within it, should be cleaned with a solution of liquid detergent and water.
- The interior of the appliance should be cleaned with a solution of sodium bicarbonate dissolved in lukewarm water. The interior and accessories should be thoroughly dried, after the cleaning process has been completed.
- There can be an odour when you first switch on the appliance. It will lessen as the appliance starts to cool.



During first use

IMPORTANT: When you use the wine cooler for the first time or restart the appliance after it has been turned off for a long time, there could be a few degrees variance between the temperature you select and the one indicated on the LED display. This is normal and it is due to the length of activation time. Once the wine cooler has been running for a few hours everything will be back to normal.

- When you first switch on the appliance, the compressor will run continuously until the wine cooler reaches a cool enough temperature.
- During this period of time, you should try not to open the door frequently or place bottles inside of the appliance.
- If the unit is switched off or unplugged, you must allow at least 5 minutes before restarting the appliance or reconnecting it to your mains supply.

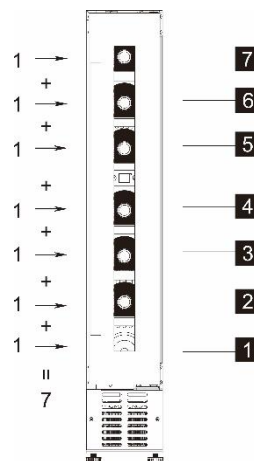
Switching on the appliance and setting the temperature

- To switch the appliance on, press the ON / OFF control button **(1)** for 5 seconds.
- The temperature setting for the appliance is adjustable within the range of 5°C - 22°C.
- Use the temperature plus **(4)** and minus **(5)** buttons to set the desired internal temperature.
- The temperature will increase by 1°C if you touch the plus button once and will decrease by the same amount if you press the minus button once.
- When you set to a new temperature, the display flashes 2 seconds and then it will display the new set temperature.

ATTENTION: In the event of a power cut keep the appliance door closed to maintain temperature. Once power is restored the Wine Cooler will remember the previous set temperature.

IMPORTANT: When the temperature of the cooler is changed, the compressor works harder to reach the required temperature. During this time, the side panels of the wine cooler can reach up to 45°C however they will cool down when the set temperature is reached.

Wine Storage



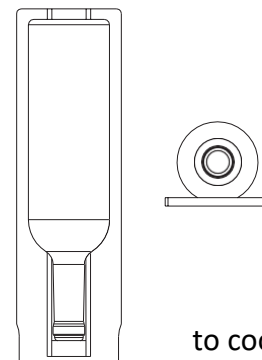
For 750 ml Bordeaux bottles

Max: 7 bottles standard

Loading the wine cooler



- **IMPORTANT:** Your appliance is ideally suited to store 0.75 litre Bordeaux style wine bottles. While it can store larger bottles, you must make sure that they do not prevent the door from shutting properly.
- Always check that you can close the door without it fouling on a wine bottle, before shutting it.



- When loading several bottles of wine at once, it will take longer for the appliance the individual bottles.
- As many bottles may differ in size and dimensions, the actual number of bottles you are able to store may vary. The maximum storage number is based on standard 0.75 litre Bordeaux style wine bottles.

Storing your wines

The chart below indicates the ideal storage temperatures for different types of wine:-

Type of wine	Temperature(Celsius)	Temperature(Fahrenheit)
Red wine (*)	15.5 – 18.5°C	59.9 – 65.3°F
White wine (**)	10 - 15°C	50 – 59°F
Sparkling wines/champagne	7.2 – 9.5°C	45 – 49.1°F
Rose wine	9.5 – 10.5°C	49.1 – 50.9°F
Vintage wine	13°C	55°F

* Light red wines, such as Beaujolais, Pinot Noir and Cabernet Franc benefit from being served slightly cooler than full-bodied reds.

** Chardonnay is often served too cold. You should chill it at a warmer temperature inside of your wine cooler. Or leave it to warm slightly when you remove it from your wine cooler.

- Temperature stability is the most important factor when it comes to storing wine.
- Exposure to light, vibrations or fluctuations in temperature and humidity can all cause wine to spoil. When properly stored, wines not only maintain their quality but many will actually improve in aroma, flavour and complexity as they mature.
- Wines kept at a higher temperature will age faster. Wine that is exposed to temperatures that are greater than 21°C will suffer from poorer flavour and aroma.
- If wine is kept at too low a temperature, this can result in the development of harmful deposits. A humidity of 70% is ideal for keeping corks from shrinking.
- After a bottle of wine has been opened, the wine comes into contact with air. So it is best to store the remainder of the bottle upright, to minimize the surface area of the wine that is coming into contact with the air.
- Once opened, wine will remain in a drinkable condition for two days for delicate whites or three days for rich reds, as long as the bottle as been resealed. You should make sure that the seal is firm by checking the stopper.
- Special stoppers that keep wine sparkling and Champagne bubbling for one or two days after opening, can be bought at most good wine shops.

- When stored correctly, white wines can keep well for up to two years. Full bodied reds will age well for ten years and dessert wines will age well for up to twenty years.
- When you buy a bottle of wine, you should transfer it to a suitable storage location immediately (if you are not going to store it in your wine cooler).
- Cheaper bottles of wine will not age as well as more expensive ones.
- To make the most of the bouquet and taste of your wine, never fill more than half a glass at a time. It will also help if the shape of your wine glass is appropriate for your wine. The size and shape of your wine glass's bowl will determine the intensity and complexity of the bouquet. The stem should be long enough to allow you to avoid hand contact with the bowl of the glass and should be tulip-shaped or tapered at the top.

Wine storage problems

Corking- a tiny percentage of bottled wine (about 1%) will suffer from this. The cork reacts with the wine and gives it a musty, unpleasant taste. It is the most common wine storage problem and is caused by harmless bacteria growing on the cork. As unfortunate as this is, there is nothing to do but to discard all of the wine in the affected bottle. This is not to be confused with small fragments of cork floating in the wine itself, which will not impair the flavour.

Oxidisation- when wine has been opened and left for longer than a day; it tends to lose its aroma and colour, giving an overall flat taste. The only way to avoid this, is to either drink the wine on the same day it was opened or to use a vacuum device specially designed for removing oxygen from opened wine bottles. If you use such a device, the wine should still be consumed shortly afterwards.

Ullage- this is loss of wine from the bottle by evaporation or leakage. Signs of ullage include wine seeping around the cork, a protruding cork or a stained label. It can happen if the bottle has been allowed to get too warm. The wine may still be drinkable, if the leakage was recent; however, you should be aware that if the wine cools down again, contraction can cause more air to be sucked into the bottle and result in further deterioration.

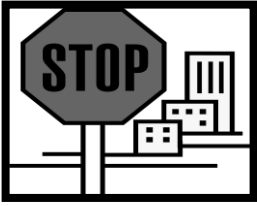
Slight effervescence in still wine- this isn't really a problem with the way the wine has been stored, but as a result of incomplete malolactic fermentation before the wine was bottled. A good way to get rid of the effervescence is to let the wine breathe. Alternatively you can use a bottle vacuum device, after about five minutes the effervescence will vanish.

Sediment- this is not normally a problem, however both red and white wines can produce sediment after a number of months in a bottle. The sediment consists of tartrate crystals and is totally harmless. If anything the building of sediment can be considered a good sign because it means that the wine was not subjected to much (if any) filtering, meaning that the flavours and aromas should be preserved better.

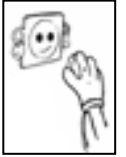
A good way to get around sediment (if it is a problem) is to stand the bottle upright, the day before opening, so that the sediment can settle to the bottom of the bottle.

You can also decant your wine; decanting will "open up" the flavour of both young and old wines, but younger wines in particular. To decant, pour the wine slowly and evenly into your decanter.

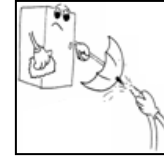
Cleaning and maintenance



WARNING: PLEASE ENSURE THAT YOUR APPLIANCE IS DISCONNECTED FROM YOUR MAINS SUPPLY BEFORE ATTEMPTING TO CLEAN IT.

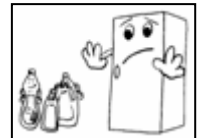
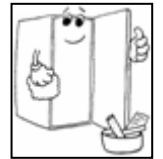
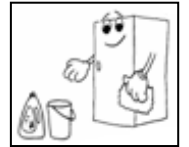


- Do not clean the appliance by pouring water onto it or spraying water
- The interior of the wine cooler should be cleaned periodically, using a bicarbonate of soda and lukewarm water.



over it.
solution of

- Clean the accessories separately with soap and water. Do not clean them in a dishwasher.
- Do not use abrasive products, detergents or soaps.
- After washing the appliance, wipe over the area that you have cleaned with a damp cloth and then dry it thoroughly.
- When cleaning is complete, dry your hands and then reconnect the plug to your mains supply.



Defrosting

- Defrosting occurs automatically inside of the wine cooler during operation. The defrost water is collected by the evaporating tray and evaporates automatically.
- The evaporating tray and defrost water drain hole should be cleaned periodically. This will prevent water from collecting in the bottom of the wine cooler, instead of flowing down the defrost drainage channel and drain hole.
- You can also pour a small amount of water down the drain hole to clean inside of it.
- You should be careful to make sure that wine bottles do not touch the rear wall of the appliance, as this can interrupt the automatic defrosting process and deflect water into the base of your wine cooler.

Removing the shelves for cleaning

- Before cleaning your appliance, please make sure to remove all the shelves from the compartment.

Moving your wine cooler

If you need to move your wine cooler to another location you should follow the steps outlined below.

- Remove all items from the wine cooler.
- Securely tape down all loose items such as the shelves inside of the appliance.
- Turn the adjustable foot up to the base to avoid damage.
- Tape the door closed.

- Ensure the appliance stays secure in the upright position during transportation. Also protect the outside of the appliance with a blanket or similar item.

Power failure

- Most power failures are corrected within a few hours and should not affect the temperature of your appliance if you minimize the number of times the door is opened.
- If the power is going to be off for a longer period of time, you need to take the proper steps to protect the contents.

IMPORTANT: If the appliance is unplugged, the power is lost or turned off you must wait 3 to 5 minutes before restarting the wine cooler. If you attempt to restart before this time delay, the wine cooler will not turn on.

Vacation time

Short holidays: Leave the wine cooler in operation for holidays of less than 3 weeks.

Long absences: If the appliance will not be used for several months, remove all items, turn off the appliance and unplug the electricity cable. Clean and dry the interior thoroughly. To prevent odour and mould growth, leave the door open slightly by blocking it open if necessary.

Installation

IMPORTANT: Before installation and usage read all the instructions and make sure that the voltage (V) and the frequency (Hz) indicated on the rating plate are exactly the same as the voltage and frequency in your home. The rating plate can be found on the front left edge of the inside of the wine cooler.

The manufacturer declines all responsibility in the event of the installer failing to observe all the accident prevention regulations in force, which are necessary for normal use and the regular operation of the electric system.

Electrical connection



YOUR WINE COOLER IS INTENDED FOR FITTED AND PERMANENT INSTALLATION.

We recommend that the appliance is connected by a qualified electrician, who is a member of the N.I.C.E.I.C. and who will comply with the I.E.E. and local regulations.

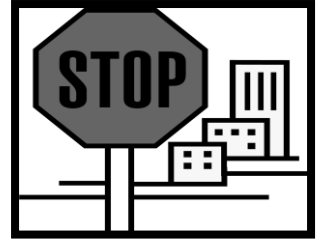
Positioning

- It is advisable that your appliance is only installed in a location where the ambient temperature of the room, corresponds with the climate classification that is stated on the rating plate of your appliance. Your appliance may not function correctly if the ambient temperature falls outside of the following ranges.

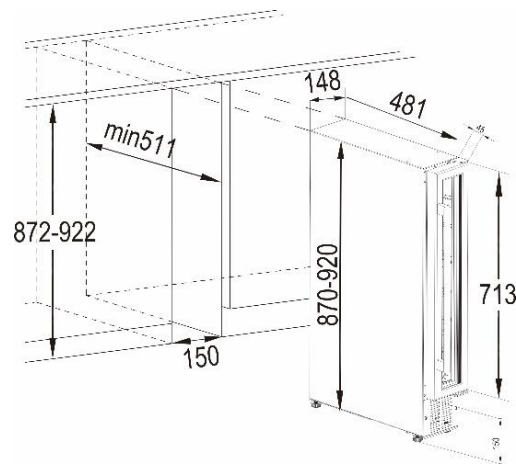
Climate classification	Appropriate ambient temperature
SN	+10 to +32 degrees centigrade
N	+16 to +32 degrees centigrade
ST	+18 to +38 degrees centigrade
T	+18 to +43 degrees centigrade

- Positioning the appliance requires two people in order to avoid injuries or damage to the appliance.

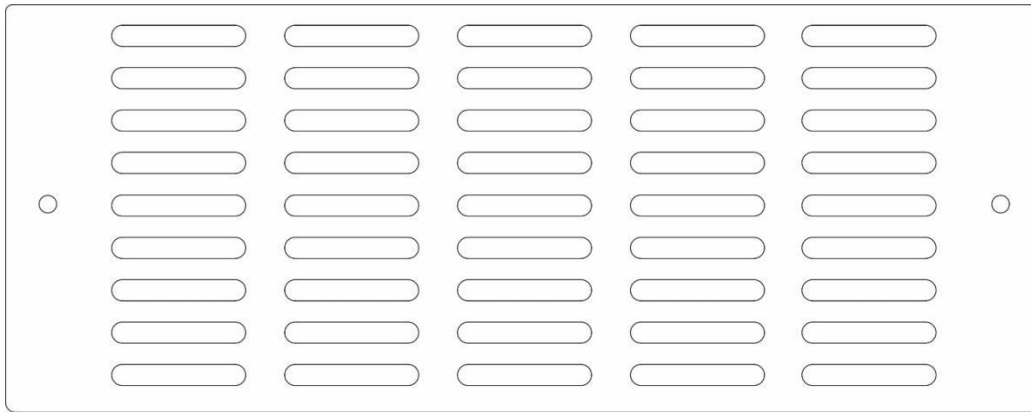
- Your appliance should not be located in direct sunlight or exposed to continuous heat or extremes of temperature (e.g. next to a radiator or boiler). If this is not feasible, then you should install an insulation plate between the appliance and the adjacent heat source.
- You should check whether there is an electrical socket available, which will be accessible after your appliance is installed.
- Place the appliance flatly and firmly on a solid base. The appliance is fitted with adjustable feet on the front side, which should be used to level the appliance.
- Be sure to leave enough space for the opening of the door, to avoid damage to the appliance or personal injury.
- **IMPORTANT: The vent at the base of the appliance is for ventilation. Nothing should be placed in front of this vent; otherwise your wine cooler may not operate properly.**



Built-in installation

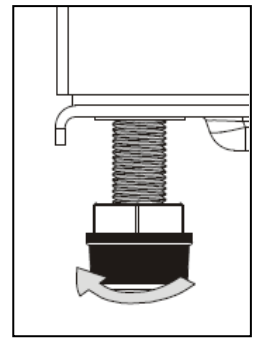
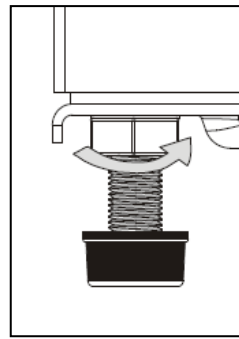
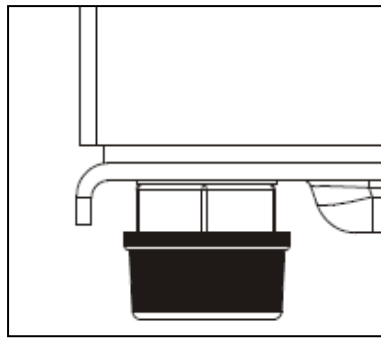
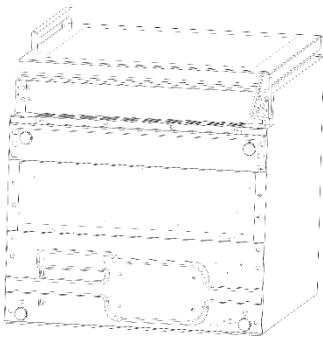


- Your wine cooler can be used as a freestanding or a built in unit. The clearances shown in the above drawing should be followed for both types of installation.
- In particular the depth dimension must be observed.
- **IMPORTANT: The vent at the base of the appliance is for ventilation. Nothing should be placed in front of this vent; otherwise your wine cooler may not operate properly.**
- A decorative plinth can be fitted to the front of the base vent as long as the cut out shown in the diagram below is made in the plinth. This cut out is required whether the vent is removed or not.



Adjusting the height and leveling of your wine cooler

- The appliance is equipped with adjustable feet, so that the height may be adjusted to level the cooler on uneven floor surfaces.
- We recommend that two people carry out this procedure.
- The height must be adjusted prior to building the appliance into the housing unit and it should be set at such a height that the top panel of the appliance fits exactly below the kitchen worktop.
- The appliance height is 865mm when produced in factory, can adjust height from 865-920mm by adjusting the feet.
- Pull down the appliance carefully approximately 60° to allow access to the adjustable feet.
- Take care to ensure the cooler is supported at all times.
- Twist the foot into a suitable position to level the cooler from 870 to 920mm.

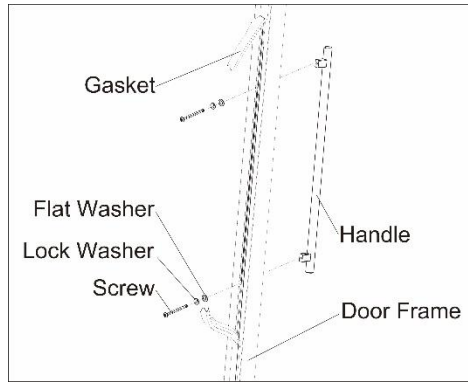


- Repeat these steps for the other adjustable feet.

IMPORTANT: If the appliance is not level, then the door and door seal may be affected.

IMPORTANT: Do not move the appliance when the feet are adjusted high.

Installing the handle



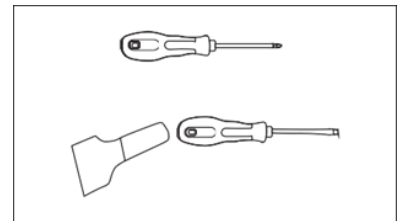
- Remove the door gasket on the side you wish to install the handle. You can see two designated holes for handle installation.
- Install the handle tightly as shown in the diagram above with the two screws, lock washers and flat washers provided.
- Replace the door gasket.

Reversing the door of your wine cooler

This appliance has the capability of the door opening from either the left or right hand side.

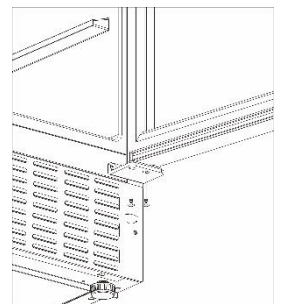
If the installation site requires. Tools you will need:

1. Cross-shaped screwdriver
2. Putty knife or thin-blade screw driver

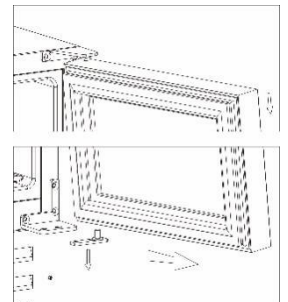


Before you start lay the wine cooler on its back in order to gain access to the base, you should rest it on soft foam packaging or similar material to avoid damaging the cooling pipes at the rear of the wine cooler.

3. Stand the wine cooler, open the door and remove the shelves and close it (preventing the shelves damaged).
4. Remove the bottom hinge by unscrewing the four lock screws. Be careful to hold the glass door firmly after removing the screws.



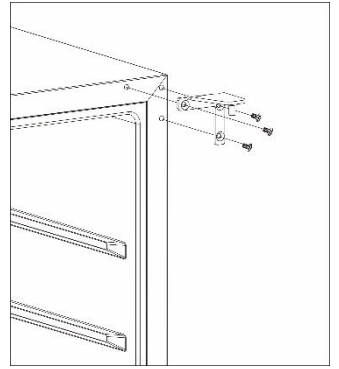
5. Gently remove the upper door and set it on a non scratching surface with the outside up to avoid the risk of damage.



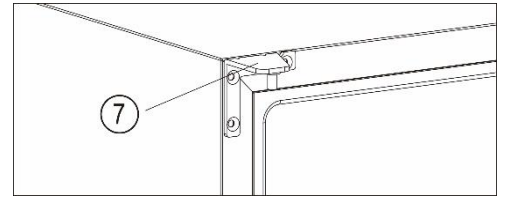
NOTE: When removing the door, watch for washer(s) between the center hinge and the

bottom of the freezer door that may stick to the door. Do not lose.

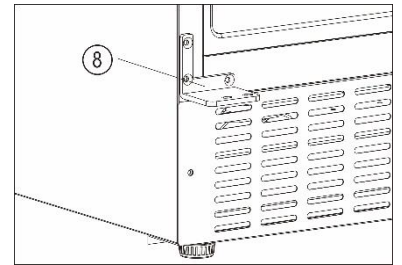
6. Unscrew the upper hinge which at the top right corner of the wine cooler, and then use a putty knife or thin blade screwdriver to prize the screw hole cover which at the left side corner of the wine cooler, re-cover the screw holes on the right hand side.



7. Screw the alternative left top hinge (included in the fittings) to the top left corner of the wine cooler and tighten securely.



8. Rotate the door 180° and then relocate the door to the designated position. Then screw the bottom hinge assembly on the left designated position and tighten it after the door is leveled.



IMPORTANT: DO NOT HEAT THE DOOR SEAL ON ANYTHING BUT THE LOWEST HEAT SETTING, OR HEAT THE SEAL FOR A LONG PERIOD OF TIME. OTHERWISE DAMAGE MAY BE CAUSED TO THE DOOR SEAL, WHICH WOULD NOT BE RECTIFIED UNDER THE GUARANTEE FREE OF CHARGE.

IMPORTANT: WHEN YOU HAVE REVERSED THE DOOR OF THE APPLIANCE, IF YOU HAVE PLACED THE APPLIANCE ON ITS BACK, YOU MUST WAIT FOR 8 HOURS BEFORE SWITCHING THE APPLIANCE BACK ON.

Troubleshooting



IMPORTANT: If your wine cooler appears not to be operating properly, before contacting the Customer Care Department, please refer to the checklist below.

PROBLEM	POSSIBLE CAUSE
Appliance does not operate	Not plugged in. The circuit breaker has tripped or the fuse has blown.
Temperature inside the appliance is too warm.	The temperature controls are set too warm. Set the temperature controls to a cooler setting and allow several hours for the temperature to stabilise. The door is being kept open too long or is being opened too frequently, which is allowing warm air to enter the appliance. The door is not closed completely. The door gasket is not sealing correctly. The appliance has recently been disconnected from the mains supply; it will take at least four hours for it to get down to temperature again.
Temperature inside the appliance is too cold	The temperature controls are set too cold. Set the temperature controls to a warmer setting and allow several hours for the temperature to stabilize.
Vibration	Check to ensure that the appliance is on a level surface. The appliance is touching the back wall behind it. Re-position the appliance and move it from the wall. If vibration continues to occur, then turn off the appliance and unplug it from your mains supply. Then contact the Customer Care Department for assistance.
Moisture is forming on the inside of the appliance.	The door is slightly open. The door is being kept open too long or is being opened too frequently. Open the door less often. The door is not sealed properly.
Moisture is forming on the outside of the appliance.	The door is slightly open, causing cold air from inside the appliance to meet warm, moist air from the outside.

IMPORTANT: If your appliance appears not to be operating correctly, then you should disconnect it from your mains supply and then contact the Customer Care Department.

DO NOT ATTEMPT TO REPAIR THE APPLIANCE YOURSELF.

Please note that if an engineer is asked to attend whilst the product is under guarantee and finds that the problem is not the result of an appliance fault, then you may be liable for the cost of the call out charge.

The appliance must be accessible for the engineer to perform any necessary repair. If your appliance is installed in such a way that an engineer is concerned that damage will be caused to the appliance or your kitchen, then he will not complete a repair.

This includes situations where appliances have been tiled in, sealed in with sealant, have wooden obstructions placed in front of the appliance, like plinths. Or any installation other than the one specified by Wren has been completed.

Please refer to the conditions of guarantee that appear on the warranty card that you receive with the appliance.

IMPORTANT: Wren operates a policy of continuous improvement and reserves the right to adjust and modify its products without prior notification.

Technical Data

Manufacturer	Wren	
Model Number	WRWC15BKED / WRWC15SSED	
Product Category	2 – Refrigeration-cellar, Cellar and wine storage appliances	
Energy Efficiency Class (1)	G	
Annual Energy Consumption (2)	108 kWh	
Storage Volume of Fridge Compartment	22 litres	
Storage Volume of Freezer Compartment	N/A	
Star Rating	N/A	
Coldest Storage Temperature	5°C	
Frost Free Compartments	Yes	
Temperature Rise Time	3 Minutes	
Freezing Capacity	N/A	
Climate Class (3)	N,ST	
Noise Level	41 dB	
Installation Type	Built-in	
Materials	Case	Steel
	Door	Glass
Unit Dimension(WxDxH)(mm)	146x524x870	
Maximum Ambient Temperature	38°C	
Rated Voltage	220-240V AC	
Rated Frequency	50Hz	
Protection Type	I	

This appliance is intended to be used exclusively for the storage of wine.

(1) This refrigerating appliance is not suitable for freezing foodstuffs.

(2) The Wine Cooler is recommended to be designed at 12°C.

- (3) The shelves is placed in factory mode that result in the most efficient use of energy for the refrigerating appliances.
- (4) If food is stored for a long time, it is recommended to wrap it in plastic wrap and set the temperature lower.
- (5) Children aged from 3 to 8 years are allowed to load and unload refrigerating appliances.
- (6) To avoid contamination of food, please respect the following instructions
 - Opening the door for long periods can cause a significant increase of the temperature in the compartments of the appliance.
- (7) On a scale from A (highest efficiency) to G (lowest efficiency).
- (8) Annual energy consumption based on standard test results for 24 hours. The actual energy consumption will depend on how the appliance is used and where it is located.
- (9) This appliance is intended to be used at an ambient temperature between “16°C” (lowest temperature) and “38°C” (highest temperature).

If the refrigerating appliance is left empty for long periods, switch off, defrost, clean, dry, and leave the door open to prevent mould developing within the appliance.

For after sales, service and spares call:

0333 247 1128