







WROV60SS
WROV60BK
PLUG & PLAY

User Manual



	Before you start	03
	Safety	03
	Electrical installation	06
	Technical data	09
	Guarantee	10
	What's required for installation	12
	What's in the box	12
	Installation	13
	Use	16
	Features	17
	Functions & Settings	19
	Care & Maintenance	23
	Service & Spares	28

Safety

| Before you start

These instructions are for your safety. Please read them thoroughly prior to installation and retain them for future reference.

WARNING: All installation work must be carried out by a suitably qualified person, strictly following local building regulations and these instructions.

- To avoid the risks that are always present when you use an electrical appliance it is important that this oven is installed correctly and that you read the safety instructions carefully to avoid misuse and hazards. After unpacking the oven please check that it is not damaged. If in doubt, do not use the appliance but contact Customer Services.
- This oven shall not be used for any purpose other than cooking. It is dangerous and inappropriate to use it for any other purpose (e.g. to heat the room it is in). The manufacturer declines all liability for personal or material damage as a result of misuse or incorrect installation of this appliance.
- Check the package and make sure you have all of the parts listed and decide upon the appropriate location for your product. If this product contains glass please take care with fitting or handling to prevent personal injury or damage to the product. The specification plate shown on this appliance displays all the necessary identification information for ordering replacement parts. If you sell the appliance, give it away, or leave it behind when you move house, please ensure that you pass on this manual so that the new owner can become familiar with the appliance and its safety warnings.

| Safety

Do not use the oven handle on the front door to carry the oven or to remove it from its packaging.

This oven and its accessories become hot during operation. Avoid contact with the heating elements inside the oven and when grilling.

To prevent damages that may be caused by improper placement of the thermal circuit breaker, this device shall not be connected to external circuit devices such as timers or always-on or always-off circuits.

The oven and its accessible parts become hot during use.

Do not open the oven door if the appliance has smoke coming out of it. Turn off the oven, unplug it or switch off the circuit breaker.

Flammable objects that are kept in the oven may ignite. Do not keep the flammable objects in the oven.

Always use oven gloves when you are taking hot food or utensils such as trays, etc. from the oven or the grill.

Ensure you remove all packaging material before starting to operate the oven.

continued overleaf



| Safety (continued)

This oven can be used by children aged from 8 years and above and persons with reduced physical, sensory or mental capabilities or lack of experience and knowledge if they have been given supervision or instruction concerning use of the appliance in a safe way and understand the hazards involved. Children shall not play with the oven. Cleaning and user maintenance shall not be made by children without supervision.

- When you operate the oven for the first time, a smell caused by the insulation materials and heating elements may occur for once. In such a case, operate the oven without putting any food inside it for 30 minutes at maximum temperature using true fan and grill functions turned on.
- Plastic containers that are not oven compatible may melt and damage the oven or may start a fire at high temperatures.
- Do not cover the bottom of the oven with aluminium foil or baking trays etc when the oven is in use as this can lead to enamel damage or fire.
- Never cook or fry on the bottom of the oven.
- In case of failure or improper operation of the oven, turn it off and unplug the oven.
- When the oven is not used, ensure that all functions are switched to the 'OFF' position.
- Always wear oven gloves when removing cookware and food from the oven.
- Pay attention to alcoholic beverages used for cooking some dishes may evaporate at high temperatures and ignite on hot surfaces.
- Do not heat sealed cans or food in sealed containers in the oven. The expansion of food and pressure created inside when heating can cause the can/container to explode.
- When the door of the oven is open, do not place any heavy objects on the door or allow children sit on it. This may cause tipping over of the appliance or damage to the door of the oven.



| Safety (continued)

- To prevent steam condensation in front of the clock when you open the door when the cooking is finished, open the door of the oven at least within 3 minutes after the end of cooking.
- Do not use a steam cleaner to clean the oven.
- Cooking paper may come in contact with heating elements and catch fire. Do not randomly place cooking paper during pre-heating the oven. Always place a container or a cake tin on the cooking paper.
- The appliance is not intended to be operated by means of an external timer or separate remote control system.
- If the supply cord is damaged, it must be replaced by the manufacturer, its service agent or similarly qualified persons in order to avoid a safety hazard.
- Please dispose of the packing material carefully. There is a fire risk if cleaning is not carried out in accordance with the instructions.
- Do not use the oven if it shows signs of damage or imperfection. Contact customer services for assistance.
- This oven has been designed for cooking in home kitchens only. It is not suitable for industrial or laboratory operation.
- Do not use or leave the oven outdoors.
- Do not use the oven near water, on a wet ground or in the vicinity of a pool.

! Safety

| Electrical installation

All installation must be carried out by a competent person or qualified electrician. Before connecting the mains supply ensure that the mains voltage corresponds to the voltage on the rating plate.

- If the current value of the switch in your house is less than 13A, have a qualified electrician install an 13A fuse switch.
- Place the oven so that the outlet or double pole switch used for power connection may be reached easily.
- Do not place the power cord in contact with hot surfaces and do not pinch it to the product cover.
- The temperature of the power cord shall not reach a temperature that is 50°C above the ambient temperature.
- Regularly check the power plug and power cord for damage. If the supply cord is damaged, it must be replaced by a new one with the same dimensions and plastic insulation and that may withstand the electrical current required by the oven.
- We do not recommend usage of adapters, multi sockets or extension cords. If it is absolutely required, you may use adaptors or extension cords by complying with the applicable safety legislation. However, you shall never exceed the maximum current capacity and the maximum power specified for the adaptor.
- Test the heating elements for 3 minutes when the connection is complete.
- If the oven is to be connected directly to the mains, a double pole switch suitable for carrying the desired load as per the current legislation and with a clearance of 3mm between its contact points shall be installed between the oven and the mains. The Earth wire shall not be cut off by the double pole switch.



WARNING: This is a Class I appliance and MUST be earthed.

This appliance is supplied with a 3 core mains cable coloured as follows:

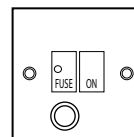
Brown = L or Live

Blue = N or Neutral

Green and Yellow = E or Earth



Double Pole Switched Fused Spur Outlet



USE A 13AMP FUSE

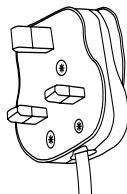
To avoid the risks that are always present when you use an electrical appliance it is important that this appliance is installed correctly and that you read the safety instructions carefully to avoid misuse and hazards. Please keep this instruction booklet for future reference and pass it on to any future owners. After unpacking the appliance please check that it is not damaged. If in doubt, do not use the appliance but contact Customer Services.

The manufacturer declines all liability for damage caused to persons and objects due to incorrect or improper installation of the appliance. Any permanent electrical installation must comply with the latest wiring regulations applicable to your country and for your own safety a qualified electrician or contractor should undertake the electrical installation.

| Electrical installation

01 Factory Fitted Power Plug Connection

This oven can be plugged directly into a mains power outlet using the 3 pin (UK) plug supplied.



- If the power cable is damaged or to be replaced, the operation must be carried out the by after-sale agent with dedicated tools to avoid any accidents.
- If the appliance is being connected directly to the mains an omnipolar circuit-breaker must be installed with a minimum opening of 3mm between contacts.
- The installer must ensure that the correct electrical connection has been made and that it is compliant with safety regulations.
- The cable must not be bent or compressed.
- The cable must be checked regularly and replaced by authorised technicians only.



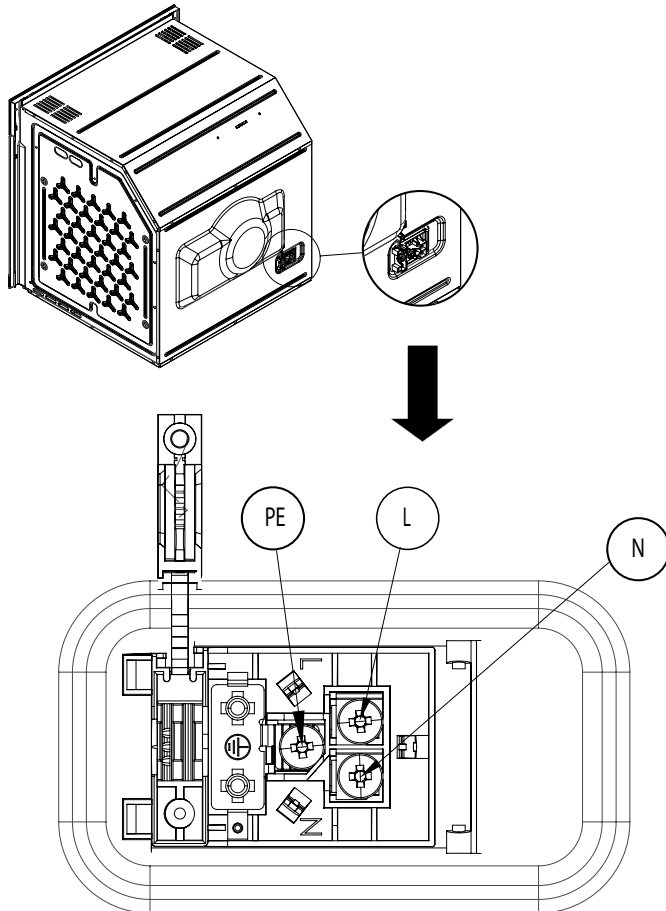
| Electrical installation

02 Conversion to permanent wiring

THE FOLLOWING SECTION IS FOR PROFESSIONAL QUALIFIED ELECTRICAL INSTALLERS ONLY.

This oven is pre-fitted with a cable and BS 3 pin (UK) plug for connection and can be plugged directly into a 13amp BS 3 pin wall socket. No further electrical connection is required.

The diagram below is for reference should a new cable need to be fitted by a qualified electrician/engineer.

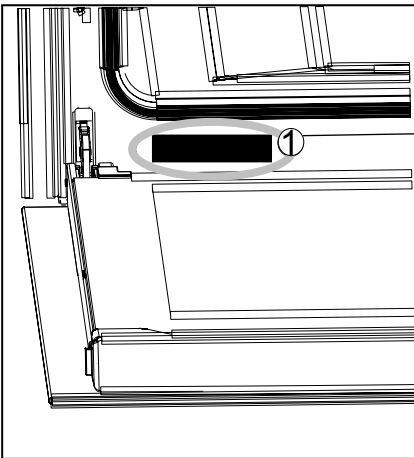




| Technical data

Model identification	WROV60SS WROV60BK
Functions	4
Oven lamp	15W
Supply voltage	220-240V~ 50/60Hz
Maximum Power	2650W
Capacity	72 litre
Product size W x D x H (mm)	595 x 547 x 595
Installation cabinet dimensions W x D x H (mm)	560 x 550 x 600

Weight and dimensions are approximate. Because we continually strive to improve our products we may change specifications and designs without prior notice.



You may access the nameplate of the oven indicating technical specifications of the oven even after installing the oven in the kitchen. You will see this nameplate when you open the door the oven as shown in the diagram (1). Use the information provided on this nameplate to specify the model of your oven when ordering a spare part.



| Declaration of Conformity

(EU) Declaration of Conformity

Name and address of the manufacturer or his authorised representative:

AAUK Ltd
Unit 3 Normandy Landings
Pope Street, Castleford
West Yorkshire
WF6 2AG

This declaration of conformity is issued under the sole responsibility of the manufacturer.
Object of the declaration:

- **Product: Built-in Multifunction Oven**
- **Model: WROV60SS**
- **Model: WROV60BK**

The components of this appliance that may contact with food comply with the requirements of the EEC Directive no. 89/109.

CE With the CEE marking, we declare that it is responsibility to ensure the compliance of this appliance to the European directives and meeting the legal requirements in terms of safety, health and environment.

- 2014/35/EU LOW VOLTAGE DIRECTIVE
- 2014/30/EU EMC DIRECTIVE

References to the relevant harmonised standards used or references to the other technical specifications in relation to which conformity is declared:

- IEC 60335-2-6:2014, AMD1:2018 in conjunction with IEC 60335-1:2010, COR1:2010, COR2:2011, AMD1:2013, COR1:2014, AMD2:2016, COR1:2016
- EN 60335-2-6:2015 used in conjunction with EN 60335-1:2012 + AC:2014 + A11:2014 +A13:2017 TS EN 60335-1:2012 + AC:2014 + A11:2014
- EN 62233:2008 TS EN 62233: 2009
- EN 55014-1 :2006 +A1 :2009 +A2 : 2011
- EN 55014-2 :2015
- EN 61000-3-2 :2014, EN 61000-3-3 :2013 TS EN 61000-3-3 : 2014
- EN 61591:1997 +A1:2006 +A2:2011+ A11:2014 A12:2015 TS EN 61591 +A1 2008+ A2: 2011 + A 11: 2014

(UK) Declaration of Conformity

Name and address of the manufacturer or his authorised representative:

AAUK Ltd
Unit 3 Normandy Landings
Pope Street, Castleford
West Yorkshire
WF6 2AG

This declaration of conformity is issued under the sole responsibility of the manufacturer.
Object of the declaration:

- **Product: Built-in Multifunction Oven**
- **Model: WROV60SS**
- **Model: WROV60BK**

The components of this appliance that may contact with food comply with the requirements of the EEC Directive no. 89/109.

CE With the CE marking, we declare that it is responsibility to ensure the compliance of this appliance to the European directives and meeting the legal requirements in terms of safety, health and environment.

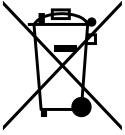
- 2014/35/UK LOW VOLTAGE DIRECTIVE
- 2014/30/UK EMC DIRECTIVE

References to the relevant harmonised standards used or references to the other technical specifications in relation to which conformity is declared:

- IEC 60335-2-6:2014, AMD1:2018 in conjunction with IEC 60335-1:2010, COR1:2010, COR2:2011, AMD1:2013, COR1:2014, AMD2:2016, COR1:2016
- EN 60335-2-6:2015 used in conjunction with EN 60335-1:2012 + AC:2014 + A11:2014 +A13:2017 TS EN 60335-1:2012 + AC:2014 + A11:2014
- EN 62233:2008 TS EN 62233: 2009
- EN 55014-1 :2006 +A1 :2009 +A2 : 2011
- EN 55014-2 :2015
- EN 61000-3-2 :2014, EN 61000-3-3 :2013 TS EN 61000-3-3 : 2014
- EN 61591:1997 +A1:2006 +A2:2011+ A11:2014 A12:2015 TS EN 61591 +A1 2008+ A2: 2011 + A 11: 2014



| Recycling & disposal



DISPOSAL: Do not dispose this product as unsorted municipal waste. Collection of such waste separately for special treatment is necessary.



This appliance is labelled in compliance with European directive 2011/65/EU for Waste Electrical and Electronic Equipment (WEEE). By ensuring that this appliance is disposed of correctly, you will help prevent any possible damage to the environment and to human health, which might otherwise be caused if it were disposed of in the wrong way.

The symbol on the product indicates that it may not be treated as normal household waste. It should be taken to a collection point for the recycling of electrical and electronic goods.

This appliance requires specialist waste disposal. For further information regarding the treatment, recover and recycling of this product please contact your local council, your household waste disposal service, or the shop where you purchased it.

For more detailed information about treatment, recovery and recycling of this product, please contact your local city office, your household waste disposal service or the shop where you purchased the product.

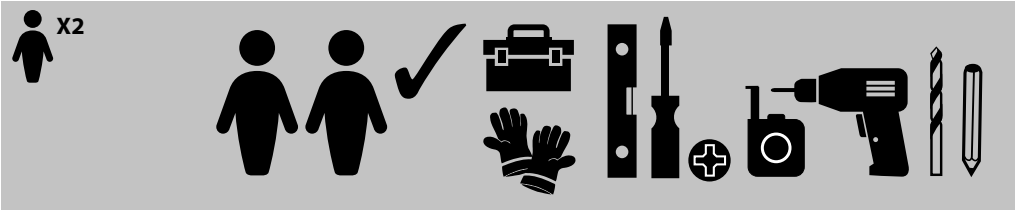
Packaging



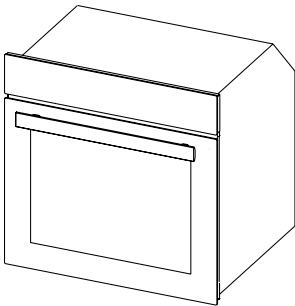
All packaging materials are recyclable. Dispose of packaging material in recycling containers to help protection of the environment.



| What's required for installation



| What's in the box



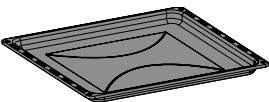
[01] x 1



[02] x 2



OVEN GRILL



SHALLOW TRAY



TRIVET



Before you install the oven

01

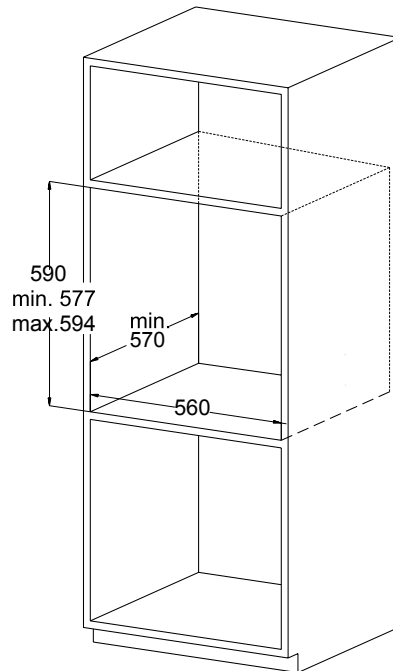
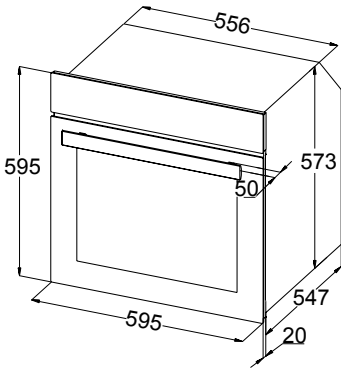
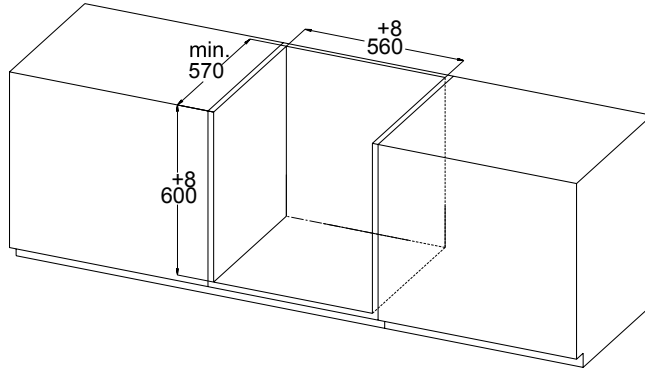
Make sure that . . .

- Take off and remove all packaging materials and adhesive tapes from the cooking compartment and the door before operating the oven.
- Do not install the oven behind a decoration or a furniture cover. This would pose a risk due to overheating.
- Cutting operations on the furniture shall be performed before the installation of the oven. Remove any burrs. They may have an adverse effect on the functioning of electrical units.
- Surfaces on the furnitures where the appliance is built-in shall withstand temperatures up to 120°C.
- For safety reasons, direct contact of the oven with electrical parts shall be prevented when the installation is complete.
- Parts that provide insulation and protection shall be installed so that they cannot be removed by using any tool.
- We recommended you to install the oven in a wall cabinet to ensure a more efficient air circulation.
- Rear compartment of the cabinet in the kitchen unit shall be removed to ensure a more efficient air circulation.
- We recommended you allow a minimum clearance of 20mm from the rear of the kitchen unit to where the oven is installed.
- We do not recommend installation of the oven near a refrigerator or deep freezer. Otherwise, the performance of such appliances shall be affected adversely due to the dissipated heat.
- Be careful not to damage the installation holes by applying too much pressure on the screws during installation.
- When a built-in hob is installed on the counter above the oven, the electrical cables of the oven and the hob should be separated for safety purposes and to facilitate the removal of the oven and hob when necessary.





02 | Check your dimensions for installation



- The oven may be installed in a high-placed cabinet or under the counter as desired using the installation dimensions as shown in the diagrams.
- The back panel of the cabinet needs to be removed to allow for ventilation and cooling inside the cabinet or cupboard to ensure correct operation of the oven.

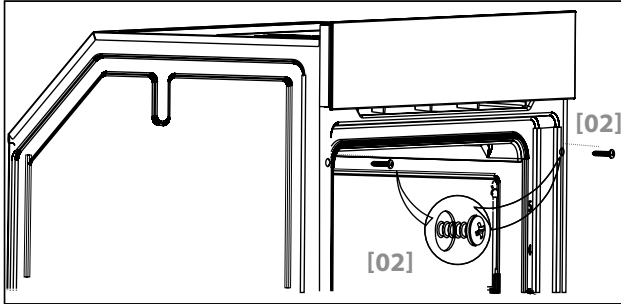


03

WARNING: Installing the screws without drilling a hole suitable for the screw diameter in the furniture may cause damage to your furniture.



[02] x 2



The fact that the oven becomes lighter when the door and the accessories are removed facilitates in the placement of the oven inside the cabinet.

- Place the oven by centering it inside the built-in appliance cabinet.
- Screw the oven into the cabinet securely.



| Using your oven

Before using your Oven

- Read this guide, taking special note of the Safety section.
- Remove any protective film that may still be on your oven.

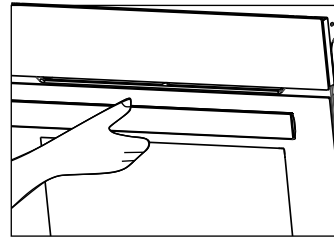
Before first use

When using the oven for the first time:

IMPORTANT: Wash the components such as tray or grill with warm water and washing up liquid before operating the oven for the first time.

- Ensure that no packaging such as Styrofoam are left inside the cooking compartment and remove adhesive tapes on or inside the oven.
- Set the temperature to maximum level.
- Set the function button to true fan and grill.
- Heat the oven while it is empty for 30 minutes to remove the smell of a new appliance.
- Open the windows to ventilate your room.
- At this time, a smell and smoke caused by the insulation materials and heating elements may occur once. In such a case, wait until the smell and smoke wears off before putting any food inside the oven.
- Clean the inside of the oven using a soft cloth slightly dampened with soapy water.

Always grab the handle from its centre to open the oven door.



Energy Efficiency

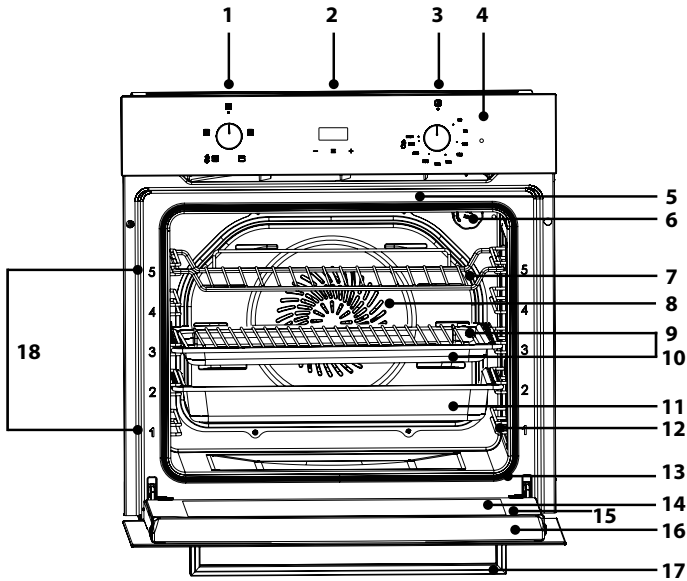
- Opening the oven door frequently during cooking allows the cold air enter inside the oven each time, thus it causes loss of energy. Therefore, do not open the oven door more than required.
- Try to cook multiple dishes simultaneously in the oven. Take the meal cooked with a lower temperature out first, and use less energy without changing the oven temperature.
- Excess heat remaining after cooking a meal shall be used for the next meal, too. This shall save power.
- Frozen food shall be thawed before cooking in the oven.
- The oven would continue cooking with the current temperature using less energy when it is turned off a few minutes before the cooking time.



Before you start

WARNING: Read the instructions before using the appliance.

Features



- | | |
|----------------------------------|----------------------------------|
| 1. Function Selection Button | 10. Shallow Tray |
| 2. Touchscreen Timer | 11. Deep Tray (Option) |
| 3. Oven Temperature Setting Knob | 12. Wire Rack |
| 4. Warning Lamp | 13. Lower Resistance (Concealed) |
| 5. Upper Resistance | 14. Internal Glass |
| 6. Lamp | 15. Oven Door |
| 7. Oven Grill | 16. Door Top Plastic |
| 8. Fan | 17. Oven Handle |
| 9. Trivet | 18. Rack Level |



| Oven accessories

Clean the oven accessories before first operation. After cleaning and washing with a sponge, wipe them dry.

Remove any accessories you do not need from the cooking compartment.



Oven Grill

Plate, for cake pans and ramekins and for frying pieces and frozen food.

Wire racks remain in horizontal position even when they are pulled out of the oven thanks to their special structure. There is risk of sliding the plate and spilling the food.



Shallow Tray & Trivet

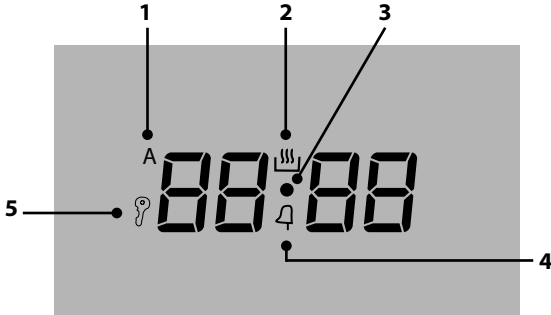
For cakes and cookies made in the tray.

Do not use the shallow tray for cooking as it shall cause smell and oils may splash out of the tray and soil the oven.



| Functions & Settings

01 Control panel



1. Auto Cooking icon
2. Cooking Timer
3. Dot icon
4. Alarm Timer
5. Key Lock icon
6. Plus (+) Button
7. Setting Button
8. Minus (-) Button



02 Functions

The main function descriptions are shown below:

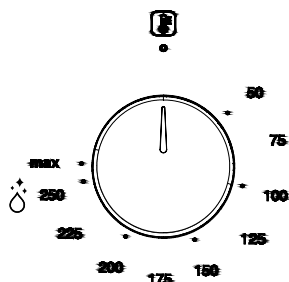
Function	
	No program is selected on your oven.
	Light ON/OFF.
	Large grill on the oven roof is on. This is suitable for grilling large or medium sized portions of meat. (Used at max 230°C)
	Fan assisted hot air is heated and distributed rapidly within the large grill. This is suitable for grilling medium to large sized portions by placing on the correct rack position under the grill heater to grill. Set the temperature to maximum level. Turn the food over halfway through the cooking process. Ecosteam Clean function (Used at max 250°C)
	For cooking and frying at one or more levels. The fan distributes the heat evenly in the cooking zone. Cook using a single tray.



03 General Use

Menu Button

Each time this button is pressed, the child lock, time setting (if cooking time is not set), alarm sound volume setting and screen brightness setting modes are activated in order and the relevant symbol is displayed during the setting.



Temperature Setting

Your oven starts heating just a few seconds later when you set the temperature.

Turn off the oven by bringing the function selection switch to zero position when your food is ready.

A Auto Cooking icon

Only appears on screen when an automatic (timed) cooking function has been selected.

Key Lock

This function serves to prevent unintended changes of the settings made by the user on the oven clock.

The **'Loc'** icon shows that you are in the Key Lock menu in Settings. While you are in this menu, you can either lock or unlock the timer.

If the Key Lock is activated while there is an active cooking program, only the keys are locked.

The oven clock will be available for operation when the Key Lock is deactivated.

NOTE: Oven functions and thermostat will be available for operation when the Key Lock is active. Activation of the Key Lock does not prevent operation of the oven.

Activating the lock

To activate the key lock, when you are not in any menu:

1. Press the '+' and '-' keys on the screen simultaneously for 2 or 3 seconds to enter the menu.
2. Press Setting Button ≡ 3 times and **'Loc'** is displayed on the screen.
3. Activate the Key Lock by pressing the '+' key. The ? icon will be displayed on the screen.

Deactivating the lock

1. Press the '+' and '-' keys on the screen simultaneously for 2 or 3 seconds to enter the menu. **'Loc'** will be displayed on the screen.
2. Deactivate the Key Lock by touching the '-' key. The ? icon will be disappear on the screen.



03 General Use

Clock Setting

00:00 is displayed on the screen when the oven is connected to the supply.

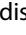
To set the clock:

1. Press the '+' and '-' keys on the screen to adjust the time.
2. Press the '+' and '-' keys simultaneously for 2 or 3 seconds (until you hear a beeping sound) to set the time.
3. You may exit from the clock setting about 7 seconds after setting the clock.

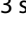
NOTE: You cannot use the functions of the oven without setting the clock.

Changing the Alarm sound

To change the alarm sound, when you are not in any menu:

1. Press the '+' and '-' keys on the screen simultaneously for 2 or 3 seconds.
2. Press  icon once to display the default sound (tone 1) on the screen. Press '-' to select alternative tones 2 and 3.


Changing the brightness of the screen

1. Press the '+' and '-' keys on the screen simultaneously for 2 or 3 seconds.
2. The screen brightness is displayed as 'br08' on the screen when you press the  icon 2 x times. Select from 8 x brightness levels by pressing the '+' and '-' keys.



Alarm Timer

Alarm timer may be activated independently of other programs. Alarm time can be set between 1 minute and 23 hours and 59 minutes.

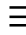

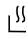
1. Press  icon for 2 or 3 seconds (until you hear a beeping sound), **00:00** will be displayed on the screen.
2. Set the required time using the '+' and '-' keys.
3. An alarm sound will be heard for 7 minutes when the set time has expired.
4. Press any button for 1 second to cancel the alarm sound. Alarm will be turned off and the time of day will be displayed on the screen.



Cooking Timer

To set Cooking Timer

You may set a cooking time on the clock and ensure that the oven is turned off when the time expires.

1. Press  icon for 2 or 3 seconds (until you hear a beeping sound) and then press the  icon once.
2. Set the cooking time using the '+' and '-' keys.
3.  icon will be displayed on the screen about 7 seconds after setting the cooking time.

NOTE: Cooking time may be set from 1 minute to 10 hours.

**03 General Use****Using the Cooking Timer**

1. Place your food in the oven.
2. Select the cooking function and the temperature required.
3. When the cooking time is complete 'A' will flash on the screen and an alarm signal is heard.
4. Alarm signal sounds for about 7 minutes. Press any button to stop the alarm sound. Alarm will be turned off, and 'A' icon will disappear and the time of the day will be displayed on the screen when the ≡ icon is pressed for 1 second.

Delayed Cooking Timer - Oven


If you want the oven to start and end the cooking operation after a specified time, you may set the cooking time and the cooking end time. This is called as fully automatic cooking.

To set Delayed Cooking Timer

1. Press ≡ icon for 2 or 3 seconds (until you hear a beeping sound) and then press the ≡ icon 2 x times.
2. Cooking time can be set using the '+' and '-' keys.
2. Cooking end time may be set for 23 hours and 59 minutes later maximum.

NOTE: If you activate the delayed cooking after setting the cooking time, it will add the delay time onto the cooking time set for the cooking timer, therefore increasing the cooking time.

Using the Delayed Cooking Timer

1. Select the required temperature and oven function.
2.  icon disappears. Oven will not start cooking until the set cooking time.
3. When the cooking time is complete 'A' will flash on the screen again and an alarm signal is heard.
4. Alarm signal sounds for about 7 minutes. Press any button for 1 second to cancel the alarm sound. Alarm will be turned off and the time of day will be displayed on the screen.

Cancelling Delayed Cooking Timer

1. Press the '+' and '-' keys to cancel cooking.
2. To cancel alarm timer, press the ≡ icon.

Manual Operation

Oven functions may be used manually if semi-automatic or fully automatic cooking functions are not set.

Delayed Cooking Timer - Grill

Note: Before setting the grill function and temperature, 'SET' 'STOP' and 'END' and then set the function and temperature. When the cooking start time is reached, 'A' flashes on the display and the heating elements are not activated. Press any of the '+' and '-' keys or menu buttons to activate heating. When the grill function and the temperature are set, you will not see 'END' after the 'STOP' warning.



| Looking after your appliance

IMPORTANT: Always switch off the electricity supply before performing any maintenance work.

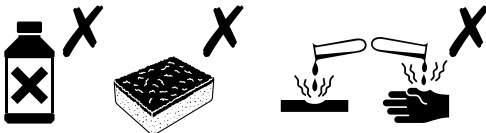
Wait for the appliance to cool down before starting cleaning.

General Cleaning

- Failure to maintain the oven regularly and to keep it clean may cause deterioration of the surface and reduce the service life of the appliance, and thus cause risks as a result of these.
- Ensure that the cleaning agents you use when cleaning your product does not have particles that can scratch enamelled or painted surfaces.
- When cleaning the control panel and the knobs, avoid using liquid cleaners with abrasive particles and wire wool to prevent erasing of the symbols.
- Do not try to remove the buttons from the control panel as these are not removable in some models.
- Do not clean the oven with materials such as bleachers, nitric acid or hydrochloric acid or cleaning agents that contain abrasives (wire wool, cleaning powder, oven sprays, abrasive hard sponges), acids (bleachers) or chlorine.


Never use:

- Undiluted washing-up liquid
- Detergent intended for dishwashers
- Scouring agents
- Harsh cleaning agents such as oven spray or stain remover
- Abrasive sponges
- High-pressure cleaners or steam jet cleaners



Using Ecosteam Clean Function

Before using the steam cleaning function, remove all accessories from the oven:

- Put 100ml of water to the base of your oven and another 400ml of water inside the shallow tray placed on the 2nd level (we recommend you to use soft water) and close the door of the oven.
- Move the Function Selection Button to the Ecosteam Clean position.
- Set the oven temperature to 250°C, and operate the oven for 30 minutes.
- To end steam cleaning process, move the dial to this position .
- Clean the interior surface of the oven with a soft and damp cloth when the oven reaches a temperature that its safe to clean without burning your hands, i.e. before it is completely cooled down.
- After cleaning, keep the door ajar to completely dry the enamel interiors.

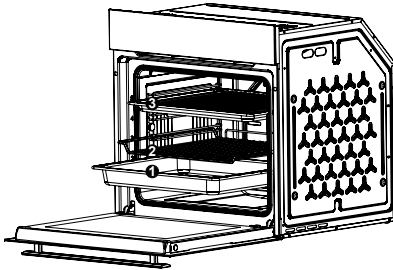


| Looking after your appliance

WARNING: RISK OF BURNS. Always ensure that the oven has cooled down prior to cleaning.

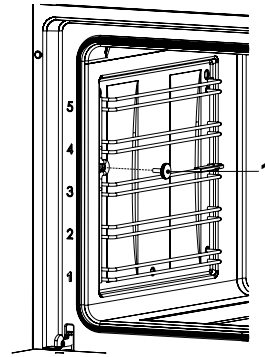
Cleaning the interior of the oven

- Clean the oven thoroughly using a proper oven cleaning agent at regular intervals.
- The best time to clean the enamelled surface inside the oven is when the oven is warm.

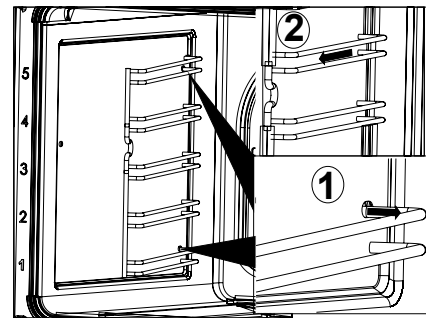


- Remove all the trays and the grill (1, 2 & 3). Clean the interior by wiping with a cloth dampened with warm, soapy water. Then, wipe once more with a damp cloth and dry.
- Do not use abrasive materials such as sandpaper, steel wool or bleachers. Otherwise, the enamelled part of the oven may get damaged.
- You may use cleaning agents used for stainless steel or some vinegar in case of harsh stains.
- The stains left by such fluids may harm the brightness of the oven, but does not affect its performance in any way.
- Do not use the oven for storage purposes by putting food such as bread, cakes, cookies, etc. inside the oven.

Cleaning the side walls of the oven



Remove the serrated screw inside the oven by rotating it counter-clockwise to clean the wire rack inside the oven.



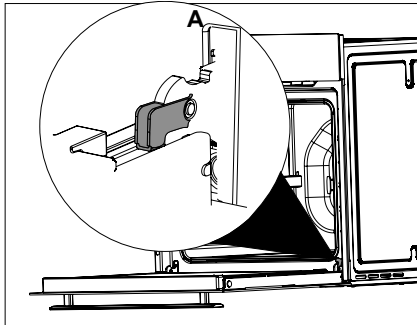
Pull the wire rack towards the inside of the oven and remove the legs of the wire rack from their seats. Remove the wire rack from the oven after releasing the wire rack from its legs.



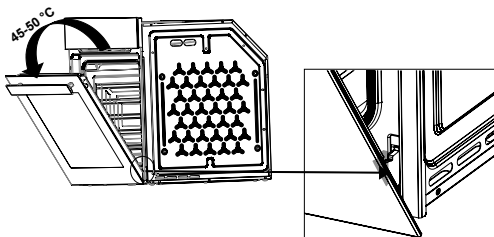
| Looking after your appliance

WARNING: RISK OF BURNS. Always ensure that the oven has cooled down prior to cleaning.

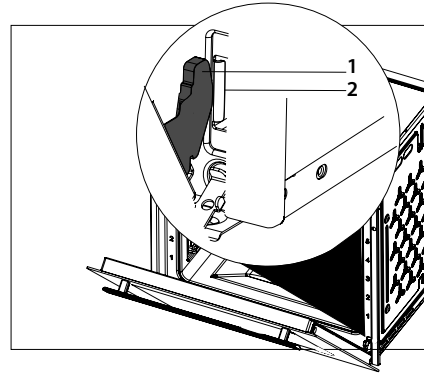
Removal of the Oven Door



1. Open the door completely by pulling the oven door towards you.
2. Then, bring the hinge lock to the widest angle as shown in the diagram above. Bring both hinges that connect the oven door to the oven to the same position.



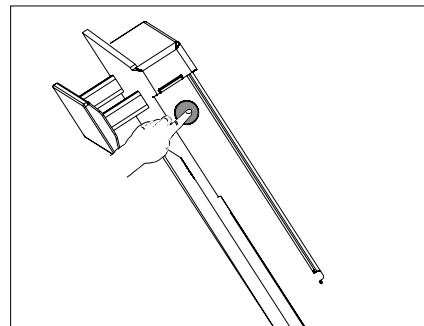
3. Close the oven door so that it contacts the hinge lock at 45°-50° as shown in the diagram above.



4. Remove the hinges (1) from the hinge housing (2) by holding the door with both hands to remove the oven door as shown in the diagram above.

IMPORTANT: Reverse the removal procedure for installation procedure of the door. Remember to close the clips on the hinge housing while installing the door.

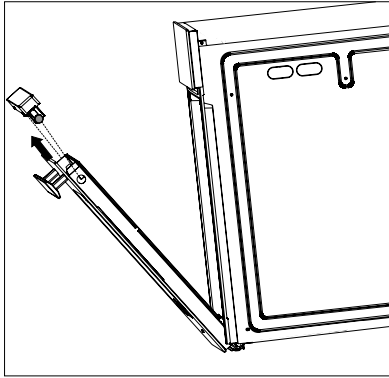
Cleaning the Oven Glass



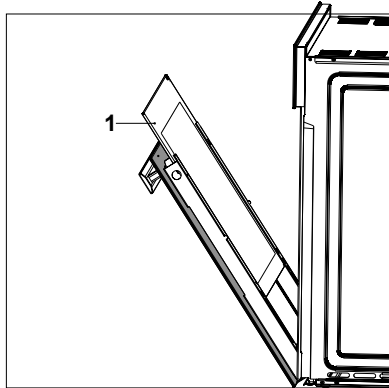
1. Open the door completely by pulling the oven door towards you as shown in the diagram above.



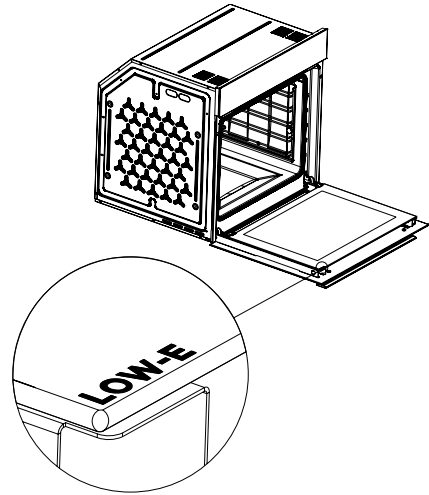
| Looking after your appliance



2. Remove the door top plastic as shown in the diagram above.



3. Remove the internal glass (1) of the oven to clean it as shown in the diagram above.
4. Wipe the glass cover with soft sponges and clothes cleaning and drying.
5. Do not use harsh abrasive cleaning agents and sharp metal scrapers to clean the oven glass. Cleaning in such a way may scratch the surface of the glass and may cause the glass to break.
6. Do not lean over and apply weight on the oven door.



7. When the door of your oven is in horizontal position, the **LOW-E** inscription on the interior glass of your oven door will be as shown in the diagram above.

Reverse the same procedure to install the oven glass.

Cleaning the Oven Door Gasket

- Condensation may occur inside the front door and on the door gasket when the oven is operated for a long period. Remove the possible condensation using a dry cloth or sponge.
- Inspect the condition of this gasket at regular intervals. Clean without using abrasive cleaning agents when required.
- Door may not closed properly when dirt is collected on the door gasket after some time.
- Please contact Customer Services if the door gasket becomes damaged. Do not use the oven until it is repaired.

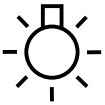
IMPORTANT: As the door loses weight when the glass is removed, it may close abruptly and cause injuries.



| Looking after your appliance

Lamp Replacement

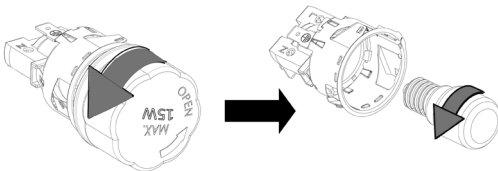
Bulb Power (W)	15
Lampholder/Socket	E14
Bulb Voltage (V)	220-240V
Size (mm)	42 x 65
Energy Class	G



MAX 15W

It indicates the maximum power consumption of the lamp. A lamp with same power rating should be used when replacing the lamp.

WARNING: Disconnect the electrical supply of the oven. Leave the lamps to cool down first because they could burn your hands when they are hot.



- Remove lamp cover. Remove the faulty bulb and replace with a new one with the same rating as shown in the diagram above.



| After sales & service support



For after sales, service enquiries & spares support

Please contact: **0333 247 1128**

Monday to Friday: 9am-5pm

Saturday: 9am-1pm

Email enquiries: wrenservice@apelson.co.uk

Dedicated spares online at: viceroy.co.uk