







WRMICRO25SS
WRMICRO25BK

PLUG & PLAY

User Manual



 Before you start	03
Safety	03
Electrical installation	06
Technical data	07
Troubleshooting	08
 Guarantee	09
 What's required for installation	12
What's in the box	12
Installation	13
 Use	16
Features, Functions & Settings	18
 Care & Maintenance	23
 Service & Spares	24



| Before you start

These instructions are for your safety. Please read them thoroughly prior to installation and retain them for future reference.

WARNING: All installation work must be carried out by a suitably qualified person, strictly following local building regulations and these instructions.

- This microwave oven is intended for defrosting, cooking and steaming of food only. Do not use corrosive chemicals or vapours in this appliance. It is not designed for industrial or laboratory use.
- To avoid the risks that are always present when you use an electrical appliance it is important that this microwave oven is installed correctly and that you read the safety instructions carefully to reduce the risk of burns, electric shock, fire, injury to persons or exposure to excessive microwave energy.
- After unpacking the hob please check that it is not damaged. If in doubt, do not use the appliance but contact Customer Services.
- Check the package and make sure you have all of the parts listed and decide upon the appropriate location for your product. If this product contains glass please take care with fitting or handling to prevent personal injury or damage to the product. The specification plate shown on this appliance displays all the necessary identification information for ordering replacement parts. If you sell the appliance, give it away, or leave it behind when you move house, please ensure that you pass on this manual so that the new owner can become familiar with the appliance and its safety warnings.

| Safety

It is hazardous for anyone other than a trained person to carry out any service or repair operation which involves the removal of any cover which gives protection against exposure to microwave energy.

If the door or door seals are damaged, the oven must not be operated until it has been repaired by a competent person.

When the microwave oven is operated in the combination mode, children should only use the oven under adult supervision due to the temperatures generated.

Only allow children to use the oven without supervision when adequate instructions have been given so that the child is able to use the oven in a safe way and understands the hazards of improper use.

Liquid or other food must not be heated in sealed containers since they are liable to explode.

Do not install oven over a range cooktop or other heat-producing appliance. If installed could be damaged and the warranty would be void.



| Safety (continued)

This microwave oven can be used by children aged from 8 years and above and persons with reduced physical, sensory or mental capabilities or lack of experience and knowledge if they have been given supervision or instruction concerning use of the appliance in a safe way and understand the hazards involved. Children shall not play with the microwave oven. Cleaning and user maintenance shall not be made by children without supervision. Keep the microwave oven and its supply cord out of the reach of children less than 8 years old.

To reduce the risk of fire in the oven cavity:

- When heating food in plastic or paper container, keep an eye on the oven due to the possibility of ignition.
 - Remove wire twist-ties from paper or plastic bags before placing bag in oven.
 - If smoke is observed, switch off or unplug the appliance and keep the door closed in order to stifle any flames.
 - Do not use the cavity for storage purposes. Do not leave paper products, cooking utensils or food in the cavity when not in use.
-
- CAUTION: Steam will escape, when opening lids or wrapping foil.
 - Do not operate the oven when empty.
 - Microwave heating of beverages could result in delayed eruptive boiling, therefore care has to be taken when handling the container.
 - Do not fry food in the oven. Hot oil can damage oven parts and utensils and even result in skin burns.
 - Eggs in their shell and whole hard-boiled eggs should not be heated in microwave ovens since they may explode even after microwave heating has ended.
 - Pierce foods with heavy skins such as potatoes, whole squashes, apples and chestnuts before cooking.
 - The contents of feeding bottles and baby jars should be stirred or shaken and the temperature should be checked before serving in order to avoid burns.
 - Cooking utensils may become hot because of heat transferred from the heated food. Pan holders may be needed to handle the utensil.
 - Utensils should be checked to ensure that they are suitable for use in microwave oven.



| Safety (continued)

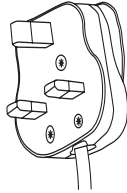
- The door or the outer surface may get hot when the appliance is operating.
- The temperature of accessible surfaces may be high when the appliance is operating.
- Allow a ventilation space between the back of the microwave oven and wall when placing against a wall.
- Do not insert any object into the openings on the outer case.
- Do not at any time remove parts from the oven such as the feet, coupling, screws, etc.
- Please remove the turntable before you move the microwave oven to avoid damages.
- Use gloves if you remove any heated food.
- If smoke is emitted, switch off or unplug the appliance and keep the door closed in order to stifle.
- The appliance is not intended to be operated by means of an external timer or separate remote control system.
- If the supply cord is damaged, it must be replaced by the manufacturer, its service agent or similarly qualified persons in order to avoid a safety hazard.
- Please dispose of the packing material carefully. There is a fire risk if cleaning is not carried out in accordance with the instructions.
- Do not use the microwave oven if it shows signs of damage or imperfection. Contact customer services for assistance.
- The manufacturer declines all liability for personal or material damage as a result of misuse or incorrect installation of this appliance.
- The appliance is for household use for heating food and beverages using electromagnetic energy and for indoor use only.



| Electrical installation

Factory Fitted Power Plug Connection

This microwave oven can be plugged directly into a mains power outlet using the 3 pin (UK) fitted plug with 13 amp fuse supplied.



- This microwave oven requires 1.5 KVA for its input.
- CAUTION: This oven is protected internally by ac 250V, 10 amp fuse.
- Place the oven so that the outlet or double pole switch used for power connection may be reached easily.
- Regularly check the power plug and power cord for damage. If the supply cord is damaged, it must be replaced by a new one with the same dimensions and plastic insulation and that may withstand the electrical current required by the oven.

To avoid the risks that are always present when you use an electrical appliance it is important that this appliance is installed correctly and that you read the safety instructions carefully to avoid misuse and hazards. Please keep this instruction booklet for future reference and pass it on to any future owners. After unpacking the appliance please check that it is not damaged. If in doubt, do not use the appliance but contact Customer Services.

The manufacturer declines all liability for damage caused to persons and objects due to incorrect or improper installation of the appliance. Any permanent electrical installation must comply with the latest wiring regulations applicable to your country and for your own safety a qualified electrician or contractor should undertake the electrical installation.



| Technical data

Model identification	WRMICRO25SS WRMICRO25BK
Oven Capacity	25 litres
Output	900W
Grill Heater	1200W
Convection	1350W
Power Consumption	230V~50Hz,1400W
Operating Frequency	2,450MHz
Outer Oven dimensions W x D x H (mm)	592 x 485 x 390
Oven Cavity dimensions W x D x H (mm)	348 x 334 x 213
Uncrated Weight	Approx. 19.5kg

Weight and dimensions are approximate. Because we continually strive to improve our products we may change specifications and designs without prior notice.



| Troubleshooting

IMPORTANT: If your microwave oven appears not to be operating properly, before contacting Customer Services, please refer to the checklist below:

Problem	Solution
Microwave oven will not perform at all, the display does not appear or the display disappears.	<ol style="list-style-type: none">1. Check to ensure that the microwave oven is plugged in securely. If it is not, remove the plug from the outlet, wait 10 seconds and plug it in again securely.2. Check the premises for a blown circuit fuse or a tripped main circuit breaker. If these seem to be operating properly, test the outlet with another appliance.
Microwave power does not function.	<ol style="list-style-type: none">1. Check to see if the timer has been set.2. Check to make sure that the door is securely closed to engage the safety interlocks. Otherwise, the microwave energy will not flow into the oven.

If none of the above rectifies the problem, please contact Customer Services. DO NOT ATTEMPT TO REPAIR THE MICROWAVE OVEN YOURSELF.

Radio Interference

Microwave ovens may cause interference to your radio, TV, or similar equipment. When interference occurs, it may be eliminated or reduced by the following procedures.

1. Clean the door and sealing surface of the oven.
2. Place the radio, TV, etc. as far away from your microwave oven as possible.
3. Use a properly installed antenna for your radio, TV, etc. to get a strong signal reception.



| Declaration of Conformity

(EU) Declaration of Conformity

Name and address of the manufacturer or his authorised representative:

AAUK Ltd

Unit 3 Normandy Landings

Pope Street, Castleford

West Yorkshire

WF6 2AG

This declaration of conformity is issued under the sole responsibility of the manufacturer.

Object of the declaration:

- **Product: 25 litre Built-in Microwave**
- **Model: WRMICRO25SS**
- **Model: WRMICRO25BK**

In compliance with:

- CE Marking Directive 93/68/EEC
- Low Voltage Directive 2014/35/EU
- ERP Directive 2009/125/EC
- EMC Directive 2014/30/EU
- RoHS Directive 2011/65/EU and (EU) 2015/863

- IEC 60335-2-6: 2014 + A1: 2018
- IEC 60335-2-25: 2020
- IEC 60335-1: 2010 + A1: 2013 + A2: 2016
- EN 60335-1: 2012 + AC: 2014 + A11: 2014 + A13: 2017
- EN 60335-1: 2012 + A11: 2014 + A13: 2017 + A1: 2019 + A2: 2019 + A14: 2019 EN 60335-2-6: 2015 + A11: 2020 + A1: 2020
- EN 60335-2-6: 2015
- EN 60335-2-25: 2012 + A1: 2015 + A2: 2016
- EN 62233: 2008
- EN 55011: 2016 + A1: 2017
- EN 55014-1: 2017
- EN 55014-2: 2015
- EN 61000-3-2: 2014
- EN 61000-3-3: 2013



| Declaration of Conformity

(UK) Declaration of Conformity

Name and address of the manufacturer or his authorised representative:

AAUK Ltd

Unit 3 Normandy Landings

Pope Street, Castleford

West Yorkshire

WF6 2AG

This declaration of conformity is issued under the sole responsibility of the manufacturer.

Object of the declaration:

- **Product: 25 litre Built-in Microwave**
- **Model: WRMICRO25SS**
- **Model: WRMICRO25BK**

In compliance with:

- CE Marking Directive 93/68/EEC
- Low Voltage Directive 2014/35/EU
- ERP Directive 2009/125/EC
- EMC Directive 2014/30/EU
- RoHS Directive 2011/65/EU and (EU) 2015/863

- IEC 60335-2-6: 2014 + A1: 2018
- IEC 60335-2-25: 2020
- IEC 60335-1: 2010 + A1: 2013 + A2: 2016
- EN 60335-1: 2012 + AC: 2014 + A11: 2014 + A13: 2017
- EN 60335-1: 2012 + A11: 2014 + A13: 2017 + A1: 2019 + A2: 2019 + A14: 2019 EN 60335-2-6: 2015 + A11: 2020 + A1: 2020
- EN 60335-2-6: 2015
- EN 60335-2-25: 2012 + A1: 2015 + A2: 2016
- EN 62233: 2008
- EN 55011: 2016 + A1: 2017
- EN 55014-1: 2017
- EN 55014-2: 2015
- EN 61000-3-2: 2014
- EN 61000-3-3: 2013



| Recycling & disposal



DISPOSAL: Do not dispose this product as unsorted municipal waste. Collection of such waste separately for special treatment is necessary.

This appliance is labelled in compliance with European directive 2011/65/EU for Waste Electrical and Electronic Equipment (WEEE). By ensuring that this appliance is disposed of correctly, you will help prevent any possible damage to the environment and to human health, which might otherwise be caused if it were disposed of in the wrong way.

The symbol on the product indicates that it may not be treated as normal household waste. It should be taken to a collection point for the recycling of electrical and electronic goods.

This appliance requires specialist waste disposal. For further information regarding the treatment, recover and recycling of this product please contact your local council, your household waste disposal service, or the shop where you purchased it.

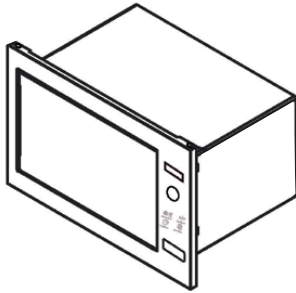
For more detailed information about treatment, recovery and recycling of this product, please contact your local city office, your household waste disposal service or the shop where you purchased the product.



| What's required for installation



| What's in the box



[01] x 1



[02] x 2
3 x 20mm



[03] x 1
4 x 35mm

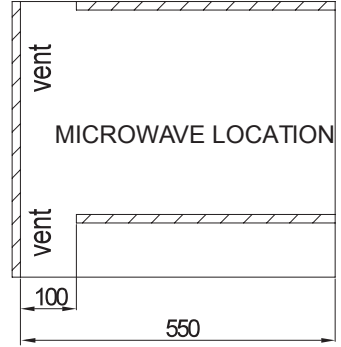
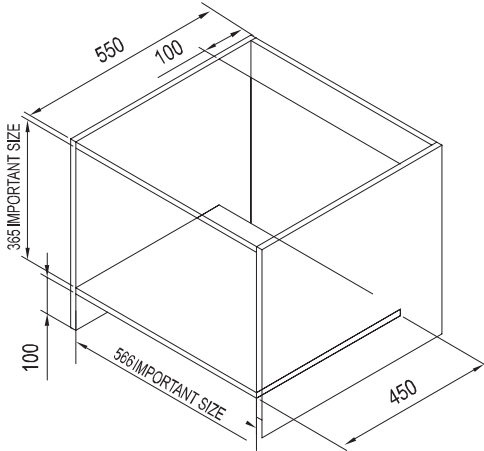


[04] x 1



| Check your dimensions for installation

01



Cabinet measurement requirements

(as shown above).

1. The inner width of the cabinet should be a minimum of 566mm.
This is the minimum distance from the left batten to right batten. Do not alter.
2. The inner height of the cabinet should be a minimum of 365mm.
This is the minimum distance from the left batten to right batten. Do not alter.
3. The cabinet depth should be a minimum of 550mm.
4. Outside dimension of cabinet should be no less than 596mm, as the frame length is 592mm.
5. The cabinet boards should be between 15mm and 20mm thick.

Trim Kit Specifications

Cavity dimensions	
Width (mm)	566
Height (mm)	365
Depth (mm)	550
Frame dimensions	
Width (mm)	592
Height (mm)	390
Depth (mm)	20



| Before you install the microwave oven

02

Make sure that . . .

- Make sure all the packing materials are removed from the inside of the door.
- Inspect the oven after unpacking for any visual damage such as:
 - misaligned door
 - damaged door
 - dents /holes in door window
 - screen dents in cavity

If any of the above damage is visible,
DO NOT use the microwave oven.

- This microwave oven weighs 19.5kg and must be placed on a horizontal surface strong enough to support this weight.
- The oven must be placed away from high temperature and steam.
- DO NOT place anything on top of the oven.
- DO NOT remove the turntable drive shaft.



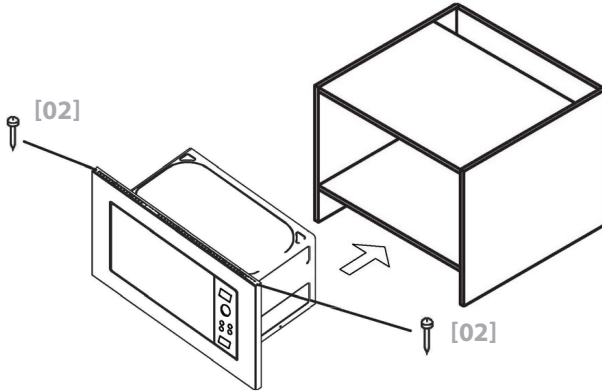
| Frame installation

03

Place the microwave oven centrally into the cabinet in a horizontal direction.



[02] x 2
3 x 20mm



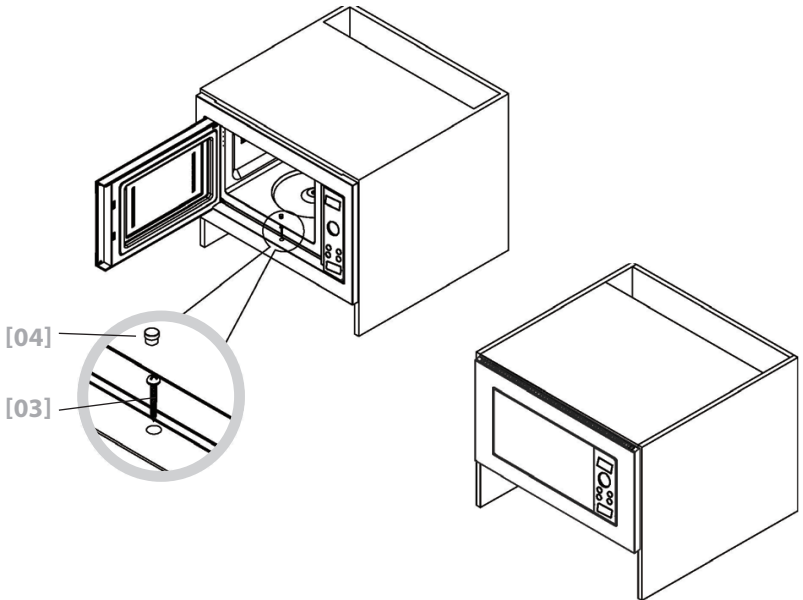
04



[03] x 1
4 x 35mm



[04] x 1



| Choosing the right cookware



IMPORTANT- COOKWARE NOT TO USE IN YOUR MICROWAVE OVEN.

- DO NOT use metal pans or dishes with metal handles. Do not use anything with metal trim.
 - DO NOT use paper covered wire twist-ties on plastic bags. Do not use melamine dishes as they contain a material which will absorb microwave energy. This may cause the dishes to crack or char and will slow down the cooking speed.
 - DO NOT use cookware or tableware that is unsuitable for microwave use. Always check items are microwave safe.
 - DO NOT cook in sealed containers with a restricted opening, as they may explode when heated in a microwave oven.
 - DO NOT use conventional thermometers. Special microwave thermometers are available to buy.
-

| Using your microwave oven

Before using your microwave oven

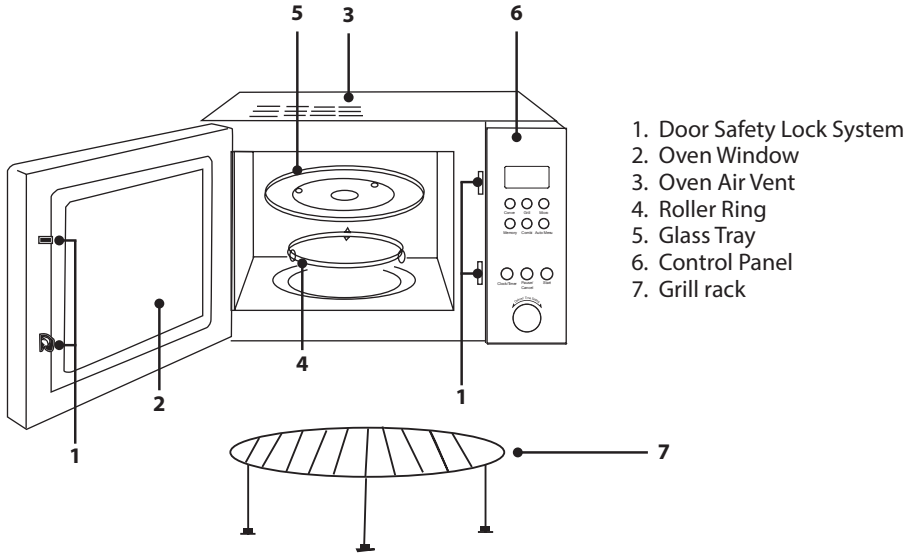
- **Read this guide, taking special note of the Safety section.**
- **Remove any protective film that may still be on your microwave oven.**

- Always have the glass tray, roller arms, coupling and roller track in place when operating the microwave oven.
- Do not use the microwave oven for any reason other than food preparation, such as for drying clothes, paper, or any other non food items, or for sterilising purposes.
- Do not operate the oven when empty. This could damage the oven.
- Do not use the oven cavity for any type of storage, such as papers, cookbooks, etc.
- Do not cook any food surrounded by a membrane, such as egg yolks, potatoes, chicken livers etc without first being pierced several times with a fork.
- Do not cook food directly on the glass tray. Place food in/on proper cooking utensil before placing in the oven.
- Microwave utensils should be used only in accordance with manufacturer's instructions.
- Do not attempt to deep-fry foods in this oven.
- Please remember that a microwave oven only heats the liquid in a container rather than the container itself. Therefore, even though the lid of a container is not hot to the touch when removed from the oven, please remember that the food/liquid inside will be releasing the same amount of steam and/or spitting when the lid is removed as in conventional cooking.
- Always test the temperature of cooked food yourself especially if you are heating or cooking food/liquid for babies. It is advisable never to consume food/liquid straight from the oven but allow it to stand for a few minutes and stir food/liquid to distribute heat evenly.
- Food containing a mixture of fat and water e.g.. stock - should stand for 30-60 seconds in the oven after it has been turned off. This is to allow the mixture to settle and to prevent bubbling when a spoon is placed in the food/liquid or a stock cube is added.
- When preparing/cooking food/liquid remember that there are certain foods, e.g. Christmas puddings, jam and mincemeat, which heat up very quickly. When heating or cooking foods with a high fat or sugar content do not use plastic containers.
- Cooking utensils may become hot because of heat transferred from the heated food. This is especially true if plastic wrap has been covering the top and handles of the utensil. Pan holders may be needed to handle the utensil.
- Do not overcook food. Carefully attend microwave oven if paper, plastic, or other combustible materials are placed inside the oven to facilitate cooking.
- Remove wire twist-ties from bags before placing bag in oven.
- If materials inside the oven should ignite, keep oven door closed, turn the oven off at the wall switch, or shut off power at the socket or circuit breaker panel.

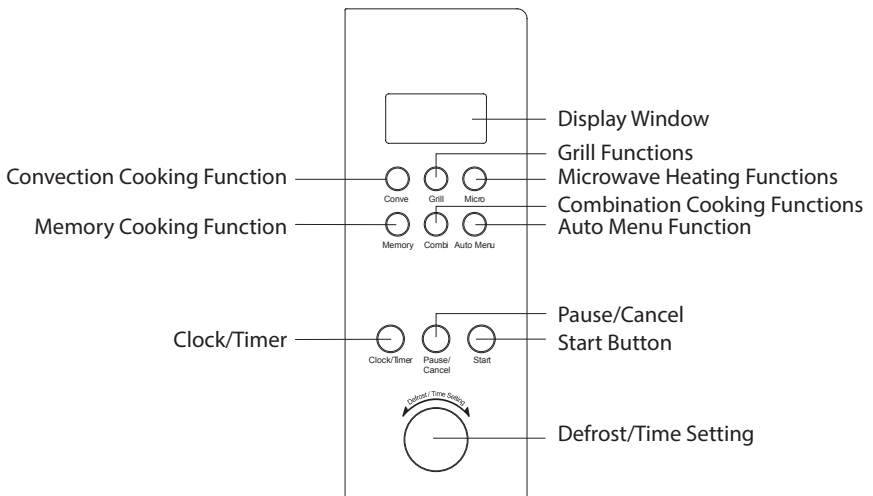
! | Before you start

WARNING: Read the instructions before using the appliance.

| Features



01 Control panel



| Functions & Settings

02 General Use

Clock	
<p>The oven can be used as a clock <i>Example: Input current time 16:30.</i></p>	<ol style="list-style-type: none"> 1. Press CLOCK/TIMER - the clock symbol will flash in the display window. 2. Rotate the TIMER SETTING knob to set 16:00. 3. Press CLOCK/TIMER again and rotate the TIMER SETTING knob to set 16:30. 4. Press CLOCK/TIMER again to finish the clock setting.
Timer Function	
<p>The Timer function helps the microwave oven begin and end automatic cooking at set times. You should set the clock to the correct time before using the timer function. <i>Example: Current time on the microwave oven clock is 16:30. Set cooking at 18:15 on P70 power for 10 mins.</i></p>	<ol style="list-style-type: none"> 1. Select TIMER and set time to 18:15 (same procedure as clock setting). 2. Press MICRO button and select 'P70' power. 3. Input cooking time of 10 mins by rotating the TIME SETTING knob. 4. Press START button. <p>If you don't set the power and cooking time (omitting stages 2 & 3) and press START the microwave oven will work only as a clock. It will sound 10 x beeps at 18:15 but no other function will run.</p>
Child Safety Lock	
Under a standby situation:	
To activate the Child Safety Lock	<ol style="list-style-type: none"> 1. Press AUTO MENU and COMBI at the same time for 2 x seconds.
To deactivate the Child Safety Lock	<ol style="list-style-type: none"> 1. Press AUTO MENU and COMBI at the same time again for 2 x seconds.
Pause/Cancel	
<p>In the course of operation, pressing the PAUSE/CANCEL button will stop operation.</p> <p>If any programme was set before pressing START, pressing the PAUSE/CANCEL button will cancel all set programs.</p>	

02 General Use
Single Button Heating

With a single press of a button you can start simple cooking.

Example: Heat a glass of milk.

1. Press **START** button - microwave oven will heat on P100 power for 1 minute.
2. You will hear 5 x beeps when heating is completed.

Microwave Heating Functions

Microwave Heating has 5 x settings: **P100, P70, P50, P30** and **P10** from high to low power
The longest cooking time is 60 minutes. This function has 2 options:

1. Quick Microwave Heating

Example: Heat food on P100 power for 5 mins.

1. Set cooking time to **5:00**.
2. Press **START** button - microwave oven will heat on P100 power for 5 mins.

2. Manual Operation Microwave Heating

Example: Heat food on P70 power for 10 mins.

1. Press **MICRO** button and select '**P70**' power.
2. Set cooking time to **10:00**.
3. Press **START** button - microwave oven will heat on P70 power for 10 mins.

Auto Weight Defrost Function

You only need to select the weight of the food you wish to defrost and the microwave oven will automatically adjust the power and time.
The weight of the food must be less than 2000g.

Example: Defrost a 500g frozen meal.

1. Select **DEFROST** by rotating the knob to the left, until **AUTO DEFROST** and '**500**' appear on the display.
2. Press **START** button - microwave oven will automatically adjust the power and time to defrost a 500g frozen meal.





Auto Menu Function

You only need to select the food type and weight of the food you wish to cook and the microwave oven will automatically adjust the power and time.

Example: Auto cook 400g of fish.

1. Press **AUTO MENU** button until '**A-5**' appears on the display.
2. Select **TIME** by rotating the knob to the right, **TIME SETTING** and '**400**' will appear on the display.
3. Press **START** button - microwave oven will automatically adjust the power and time to cook 400g of fish.

02 General Use
Auto Menu Settings

   Memory Combi Auto Menu	A-1 REHEAT	A-2 POTATO	A-3 MEAT	A-4 PIZZA	A-5 FISH	A-6 CHICKEN
 Press Auto Menu button until the food type you require appears on the display.						
Select the weight of the food by rotating the knob. The oven will automatically adjust the power and time.	Min: 100g Max: 600g	Min: 200g Max: 1500g	Min: 100g Max: 1500g	Min: 100g Max: 600g	Min: 100g Max: 1000g	Min: 200g Max: 2000g

Convection Cooking Functions

This oven can be used as a convection oven and can be programmed to reach a desired temperature for pre-heating. The temperature setting will default to 230°C. This function offers 2 x options:

1. Pre-heat Function The longest pre-heating time is 30 minutes. <i>Example: Set oven to pre-heat to 200°C.</i>	<ol style="list-style-type: none"> 1. Press CONVE to choose 200°C temperature. 2. Press START button. 3. When the pre-heating is completed, the oven will stop and sound 2 x beeps to remind you to place the food in the oven. 4. Set the convection cooking temperature and time and press START button.
2. Convection Function <i>Example: Set pre-heated oven at 200°C to cook for 20 mins using convection cooking.</i>	<ol style="list-style-type: none"> 1. Press CONVE to choose CONVECTION COOKING. 2. Press CONVE to choose 200°C temperature. 3. Set the cooking time for 20 mins and press START button.

Memory Cooking Function

This function can memorise some useful cooking programmes to avoid resetting time and power operation. These programmes will not be kept when the electricity is off.

If no memory has been set

1. Press '**MEMORY**' and '**1**' will be displayed.
2. Input cooking power and time, press '**MEMORY**' again and the set program will be memorised.
3. If you press **START** button instead of '**MEMORY**', the oven will start to cook, and the program also will be memorised.

If memory has been set

1. Press '**MEMORY**' and '**1**' will be displayed.
2. If you press **START** button the oven will operate according to the memorised program.

Grill Function

When grilling, the food isn't heated by microwave, heat is radiated from the metal heater at the top of the microwave oven. The Grill has 2 x settings: **G-1** and **G-2** from high to low power. The longest cooking time is 60 minutes.

The Grill function has 2 stage options:

Example: Cooking food with G-1 power for 20 mins.

1. After the first half of the cooking, the program will automatically pause and sound 2 x beeps, indicating you to open the oven and turn the food over.
2. After turning over, close the door, press **START** button and cooking will continue for the second half. If you do not want to turn the food over the oven will restart after a 1 minute pause.

Combination Cooking Functions

This function offers 3 x methods of combination cooking:

1. Convection + Microwave

Ideal for roasting and baking etc.

Display C-1

2. Grill + Convection

Ideal for fast crisping etc.

Display C-2

3. Grill + Microwave

Ideal for fast grilling etc.

Display C-3

Example: Cooking food using Option 3 for 30 mins.

1. Press **COMBI** to select '**C-3**'
2. Set cooking time to **30:00**.
3. Press **START** - microwave oven will start combination cooking for 30 mins.



| Looking after your appliance

IMPORTANT: Always turn the microwave oven off and remove the power plug from the wall socket before cleaning.

General cleaning

- Keep the inside of the oven clean. When food splatters or spilled liquids adhere to oven walls, wipe with a damp cloth. The use of harsh detergent or abrasives is not recommended.
- The outside oven surface should be cleaned with a damp cloth. To prevent damage to the operating parts inside the oven, water should not be allowed to seep into the ventilation openings.
- Do not allow the control panel to become wet. Clean with a soft, damp cloth. Do not use detergents, abrasives or spray-on cleaners on the control panel.
- If steam accumulates inside or around the outside of the oven door, wipe with a soft cloth. This may occur when the microwave oven is operated under high humidity conditions and in no way indicates malfunction of the oven.
- It is occasionally necessary to remove the glass tray for cleaning. Wash the tray in warm soapy water or in a dishwasher.
- The roller ring and oven cavity floor should be cleaned regularly to avoid excessive noise. Simply wipe the bottom surface of the oven with mild detergent and water and dry. The roller ring may be washed in mild soapy water or in the dishwasher. Cooking vapours collect during repeated use but in no way affect the bottom surface or roller ring wheels.

When removing the roller ring from the oven cavity floor for cleaning, be sure to replace it in the proper position.



| After sales & service support



For after sales, service enquiries & spares support

Please contact: **0333 247 1128**

Monday to Friday: 9am-5pm

Saturday: 9am-1pm

Email enquiries: wrenservice@apelson.co.uk

Dedicated spares online at: viceroy.co.uk